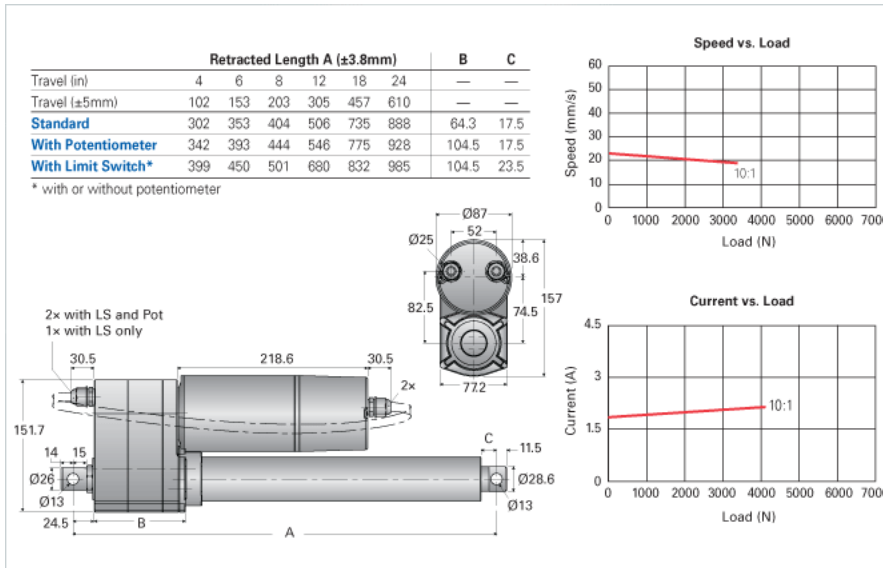


NIA5-230-10-B

Call 800-321-7800 or visit us online at www.nookindustries.com to configure and order your NIA5-230-10-B today!



Product Info

Screw Type

Ball Screw

Details

Voltage [VAC]

230

Hertz [Hz]

50

Gear Ratio

10:1

Speed At No Load [mm/s]

30

Speed At Full Load [mm/s]

25

Load Capacity Dynamic Load [N]

3500

Load Capacity Static Load [N]

13600

Amps

1.9

Performance Specifications

Duty Cycle [% of 5 Minutes]

25

Protection Class

IP65