

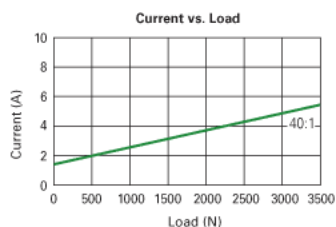
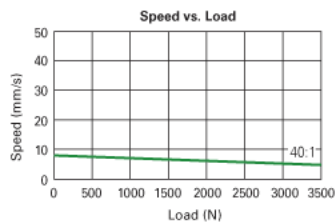
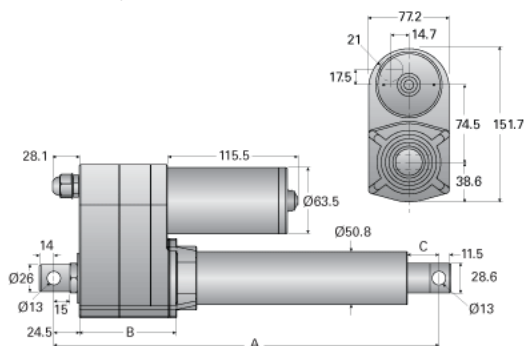
## ND8-24-40-A

Call 800-321-7800 or visit us online at [www.nookindustries.com](http://www.nookindustries.com) to configure and order your ND8-24-40-A today!



Travel (in)	Retracted Length A ( $\pm 3.8\text{mm}$ )						B	C
	4	6	8	10	12	18		
Travel ( $\pm 5\text{mm}$ )	102	153	203	254	305	457	610	—
<b>Standard</b>	262	313	364	415	465	668	821	64.3 17.5
<b>With Potentiometer</b>	302	353	404	455	506	708	861	104.5 17.5
<b>With Limit Switch*</b>	359	410	460	511	613	765	918	104.5 23.5

\* with or without potentiometer



### Product Info

Screw Type

Acme Screw

### Details

Voltage [VDC]

24

Gear Ratio

40:1

Speed At No Load [mm/s]

8.4

Speed At Full Load [mm/s]

7.4

Load Capacity Dynamic Load [N]

3500

Load Capacity Static Load [N]

4500

Amps

5.5

### Performance Specifications

Duty Cycle [% of 5 Minutes]

25

Protection Class

IP65