

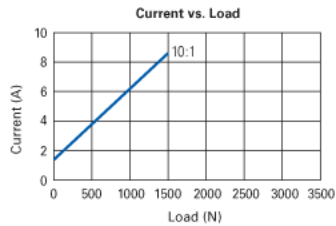
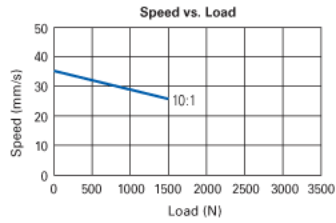
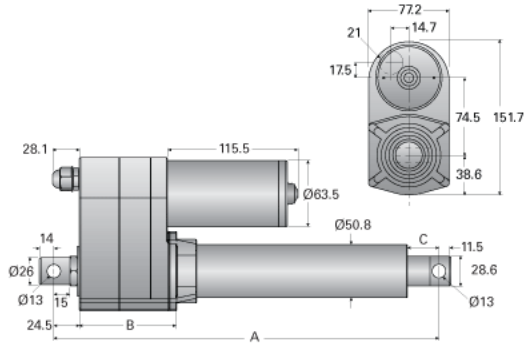
ND8-24-10-A

Call 800-321-7800 or visit us online at www.nookindustries.com to configure and order your ND8-24-10-A today!



Travel (in)	Retracted Length A (± 3.8 mm)						B	C
	4	6	8	10	12	18		
Travel (± 5 mm)	102	153	203	254	305	457	610	—
Standard	262	313	364	415	465	668	821	64.3 17.5
With Potentiometer	302	353	404	455	506	708	861	104.5 17.5
With Limit Switch*	359	410	460	511	613	785	918	104.5 23.5

* with or without potentiometer



Product Info

Screw Type

Acme Screw

Details

Voltage [VDC]

24

Gear Ratio

10:1

Speed At No Load [mm/s]

33.5

Speed At Full Load [mm/s]

26.7

Load Capacity Dynamic Load [N]

1500

Load Capacity Static Load [N]

4500

Amps

9

Performance Specifications

Duty Cycle [% of 5 Minutes]

25

Protection Class

IP65