

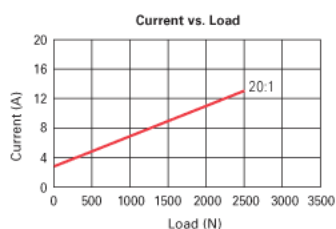
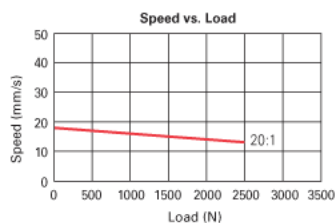
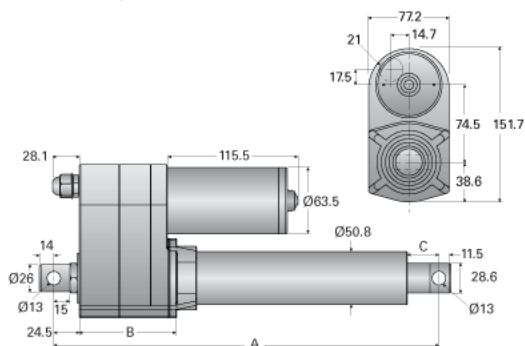
ND8-12-20-A

Call 800-321-7800 or visit us online at www.nookindustries.com to configure and order your ND8-12-20-A today!



Travel (in)	Retracted Length A ($\pm 3.8\text{mm}$)						B	C	
	4	6	8	10	12	18			24
Travel ($\pm 5\text{mm}$)	102	153	203	254	305	457	610	—	—
Standard	262	313	364	415	465	668	821	64.3	17.5
With Potentiometer	302	353	404	455	506	708	861	104.5	17.5
With Limit Switch*	359	410	460	511	613	765	918	104.5	23.5

* with or without potentiometer



Product Info

Screw Type

Acme Screw

Details

Voltage [VDC]

12

Gear Ratio

20:1

Speed At No Load [mm/s]

17

Speed At Full Load [mm/s]

14.3

Load Capacity Dynamic Load [N]

2500

Load Capacity Static Load [N]

4500

Amps

13

Performance Specifications

Duty Cycle [% of 5 Minutes]

25

Protection Class

IP65