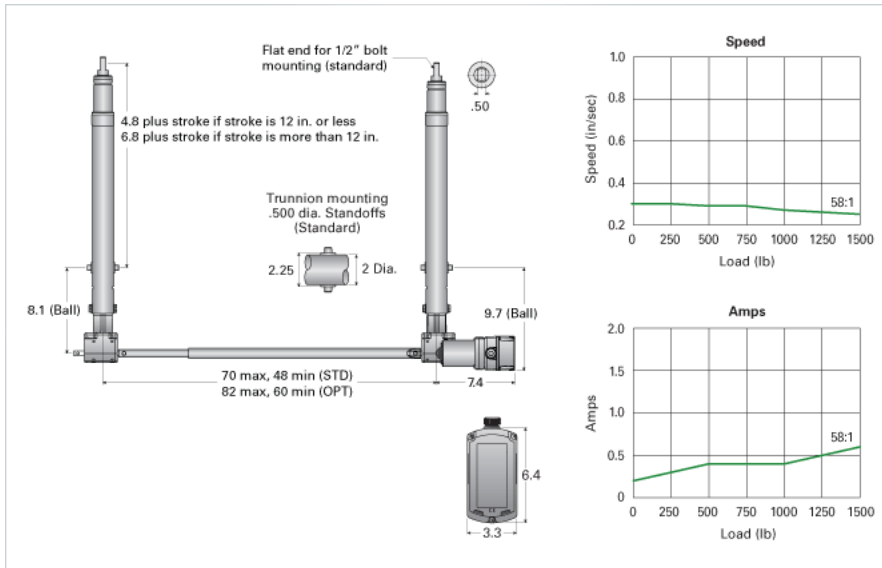


CCU58-HD E

Call 800-321-7800 or visit us online at www.nookindustries.com to configure and order your CCU58-HD E today!



Product Info

Screw Type

Ball Screw

Details

Screw Size

0631-0200 SRT RA

Voltage

110 VAC

Gear Ratio

58:1

Load Capacity [lb]

1500

Speed [in/sec]

0.2

Amps

0.6

Maximum Cylinder Width [in]

70

Minimum Cylinder Width [in]

48

Performance Specifications

Duty Cycle [% of 5 Minutes]

25

Protection Class

IP54

Maximum Temperature Range [F°]

160

Minimum Temperature Range [F°]

-30