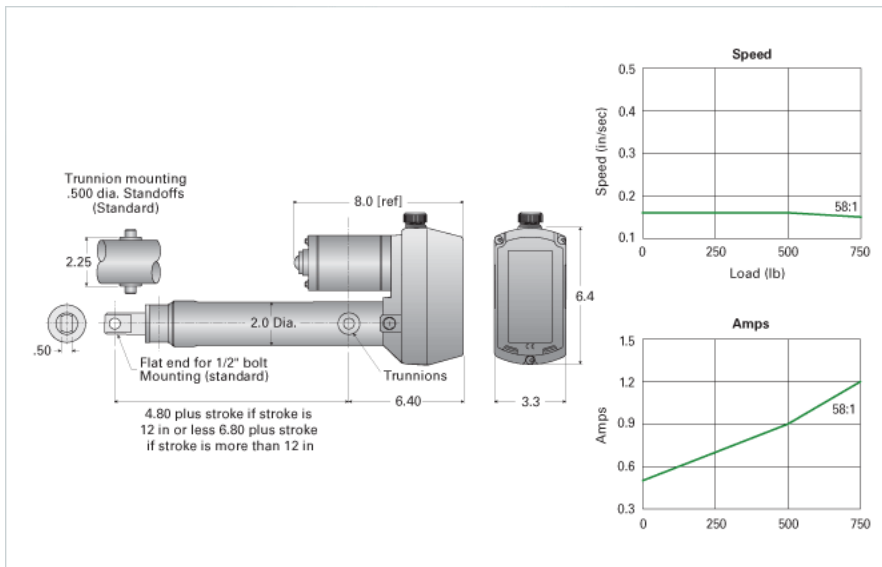


## CC58-A8 D

Call 800-321-7800 or visit us online at [www.nookindustries.com](http://www.nookindustries.com) to configure and order your CC58-A8 D today!



### Product Info

Screw Type

Acme Screw

### Details

Screw Size

5/8-5 RA

Voltage

90 VDC

Gear Ratio

58:1

Load Capacity [lb]

750

Speed [in/sec]

0.15

Amps

1.3

### Performance Specifications

Duty Cycle [% of 5 Minutes]

25

Protection Class

IP54

Maximum Temperature Range [F°]

160

Minimum Temperature Range [F°]

-30