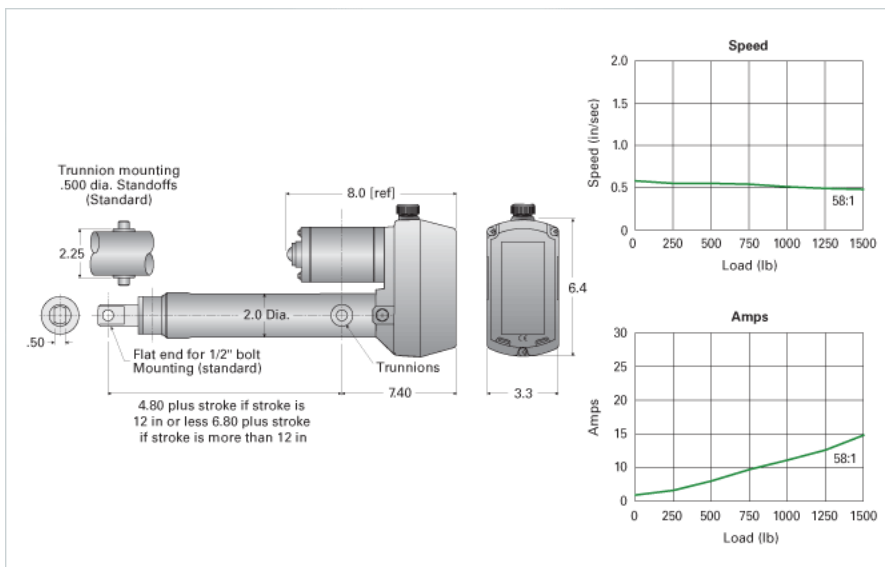


## CC58-HD F

Call 800-321-7800 or visit us online at [www.nookindustries.com](http://www.nookindustries.com) to configure and order your CC58-HD F today!



### Product Info

Screw Type

Ball Screw

### Details

Screw Size

0631-0200 SRT RA

Voltage

12 VDC Hi Speed

Gear Ratio

58:1

Load Capacity [lb]

1500

Speed [in/sec]

0.5

Amps

15

### Performance Specifications

Duty Cycle [% of 5 Minutes]

25

Protection Class

IP54

Maximum Temperature Range [F°]

160

Minimum Temperature Range [F°]

-30