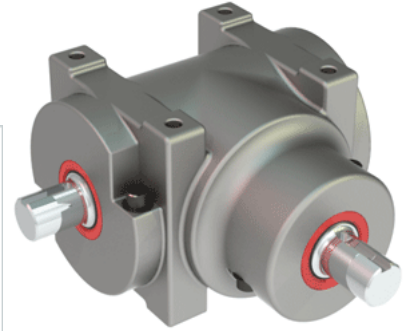
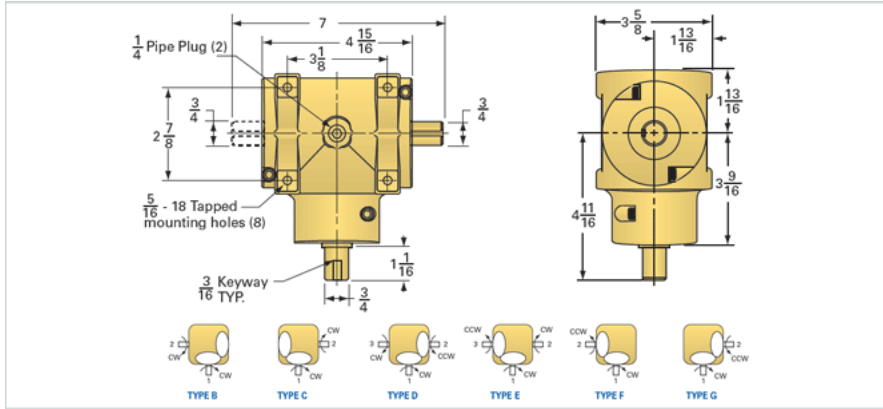


GB210S-R2

Call 800-321-7800 or visit us online at www.nookindustries.com to configure and order your GB210S-R2 today!



Product Info

Product Code: GB210S-R2
Gear Ratio: 2:1

Performance Specifications

Rated Load RPM [rpm]: 1700
Max HP for Continuous Duty [hp]: 3.01
Max Torque for Continuous Duty [in-lb]: 111.54
Max HP for Intermittent Duty [hp]: 5.56
Max Torque for Intermittent Duty [in-lb]: 206.31

Weight

Nut Weight [lb]: 6.25