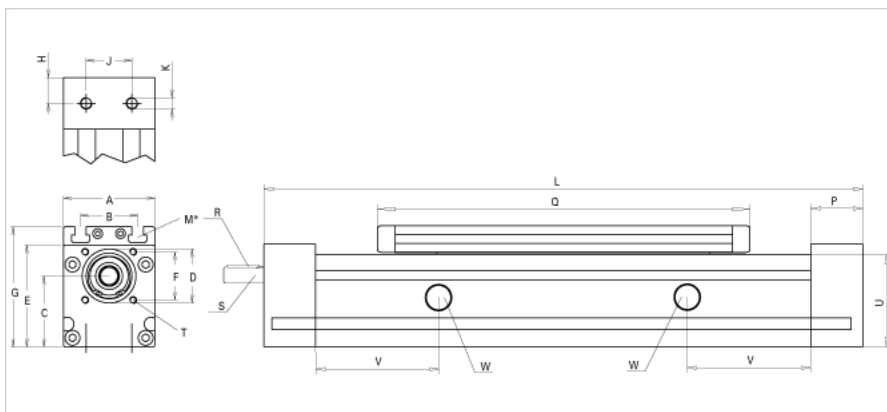


QSKE 60 Extended Carriage

Call 800-321-7800 or visit us online at www.nookindustries.com to configure and order your QSKE 60 Extended Carriage today!



| Details | |
|---|------------------|
| Size | 60 |
| Screw Options | 16x5/16x10/16x16 |
| Screw Type | Ball Screw |
| Dimensions | |
| Basic Length L [mm] | 350 |
| A [mm] | 61 |
| B [mm] | 36 |
| C [mm] | 45.5 |
| D [mm] | 37 |
| E [mm] | 67.5 |
| F [mm] | 32 |
| G [mm] | 80 |
| H [mm] | 19 |
| J [mm] | 18 |
| K | M6 |
| N | M6 |
| P [mm] | 38 |
| Q [mm] | 255 |
| Shaft R Key [mm] | 3x3x25 |
| Shaft S Diameter x Length [mm] | 10h6x27 |
| T | M5 |
| U [mm] | 61 |
| Forces and Torques | |
| Fx [N] 10000 km | 800 |
| Fy [N] 10000 km | 1010 |
| Fz [N] 10000 km | 2510 |
| Mx [Nm] 10000 km | 23 |
| My [Nm] 10000 km | 143 |
| Mz [Nm] 10000 km | 125 |
| Fx [N] 5000 km | 900 |
| Fy [N] 5000 km | 1415 |
| Fz [N] 5000 km | 3525 |
| Mx [Nm] 5000 km | 33 |
| My [Nm] 5000 km | 190 |
| Mz [Nm] 5000 km | 176 |
| Geometrical moments of inertia of aluminum profile | |
| Elastic modulus [N/mm ²] | 70000 |
| Ix [mm ⁴] | 430000 |
| Iy [mm ⁴] | 480000 |
| Weight | |
| Weight Per 100 mm [kg] | 0.5 |
| Basic Weight [kg] | 4.1 |