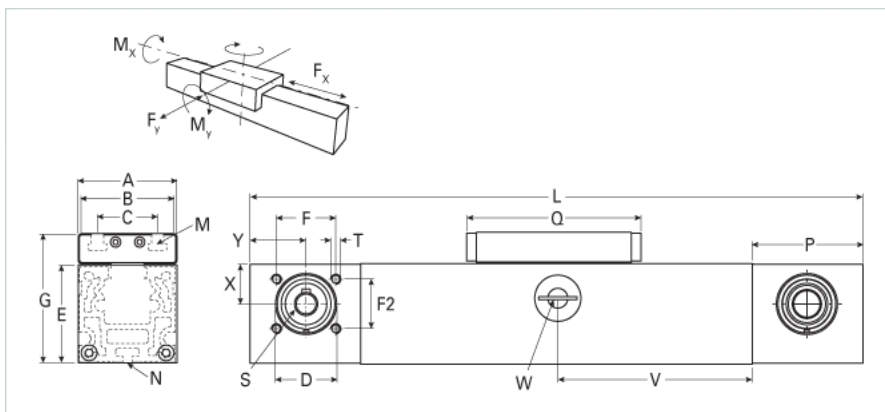


QSIZE 100

Call 800-321-7800 or visit us online at www.nookindustries.com to configure and order your QSIZE 100 today!



| Details | |
|---|---------|
| Size | 100 |
| Belt | 8M50 |
| mm/Rev | 224 |
| Number of Teeth | 28 |
| Pully Diameter [mm] | 71.3 |
| Dimensions | |
| Basic Length L [mm] | 504 |
| A [mm] | 101 |
| B [mm] | 100 |
| C [mm] | 66 |
| D [mm] | 62 |
| E [mm] | 101 |
| F [mm] | 62 |
| F2 [mm] | 58 |
| G [mm] | 130 |
| M | M10 |
| N | M10 |
| P [mm] | 107 |
| Q [mm] | 268 |
| T | M10 |
| X [mm] | 40.0 |
| Y [mm] | 54 |
| Shaft Diameter and Length [mm] | 22 x 45 |
| Key | 6x6x40 |
| Speed | |
| Speed Maximum [m/s] | 5 |
| Forces and Torques | |
| No-load torque [Nm] | 1.8 |
| Fx [N] 10000 km | 3800 |
| Fy [N] 10000 km | 2900 |
| Fz [N] 10000 km | 7270 |
| Mx [Nm] 10000 km | 101 |
| My [Nm] 10000 km | 311 |
| Mz [Nm] 10000 km | 292 |
| Fx [N] 5000 km | 4000 |
| Fy [N] 5000 km | 4080 |
| Fz [N] 5000 km | 10300 |
| Mx [Nm] 5000 km | 142 |
| My [Nm] 5000 km | 439 |
| Mz [Nm] 5000 km | 412 |
| Tensile force 0.2 sec [N] | 4300 |
| Tensile force permanent [N] | 4000 |
| Geometrical moments of inertia of aluminum profile | |
| Elastic modulus [N/mm ²] | 70000 |
| Ix [mm ⁴] | 4300000 |
| Iy [mm ⁴] | 4880000 |
| Weight | |
| Additional Weight per 100 mm [kg] | 1.77 |
| Basic Weight [kg] | 15.9 |