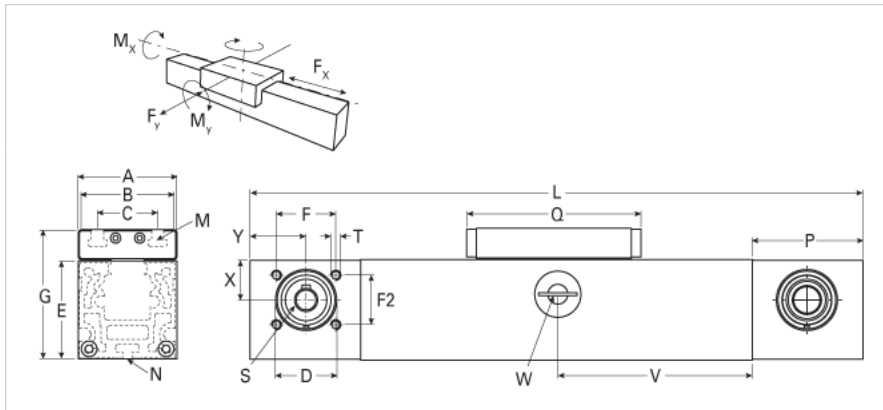


QSIZE 60

Call 800-321-7800 or visit us online at www.nookindustries.com to configure and order your QSIZE 60 today!



Details

Size	60
Belt	5M25
mm/Rev	130
Number of Teeth	26
Pully Diameter [mm]	41.4

Dimensions

Basic Length L [mm]	316
A [mm]	61
B [mm]	60
C [mm]	36
D [mm]	37
E [mm]	61
F [mm]	36
F2 [mm]	30
G [mm]	80
M	M6
N	M5
P [mm]	67
Q [mm]	177
T	M6
X [mm]	24.5
Y [mm]	34
Shaft Diameter and Length [mm]	14 x 35
Key	5x5x28

Speed

Speed Maximum [m/s]	5
---------------------	---

Forces and Torques

No-load torque [Nm]	1
Fx [N] 10000 km	800
Fy [N] 10000 km	990
Fz [N] 10000 km	2500
Mx [Nm] 10000 km	23
My [Nm] 10000 km	73
Mz [Nm] 10000 km	70
Fx [N] 5000 km	894
Fy [N] 5000 km	1410
Fz [N] 5000 km	3520
Mx [Nm] 5000 km	33
My [Nm] 5000 km	104
Mz [Nm] 5000 km	100
Tensile force 0.2 sec [N]	1000
Tensile force permanent [N]	900

Geometrical moments of inertia of aluminum profile

Elastic modulus [N/mm ²]	70000
Ix [mm ⁴]	430000
Iy [mm ⁴]	480000

Weight

Additional Weight per 100 mm [kg]	0.40
Basic Weight [kg]	4.2