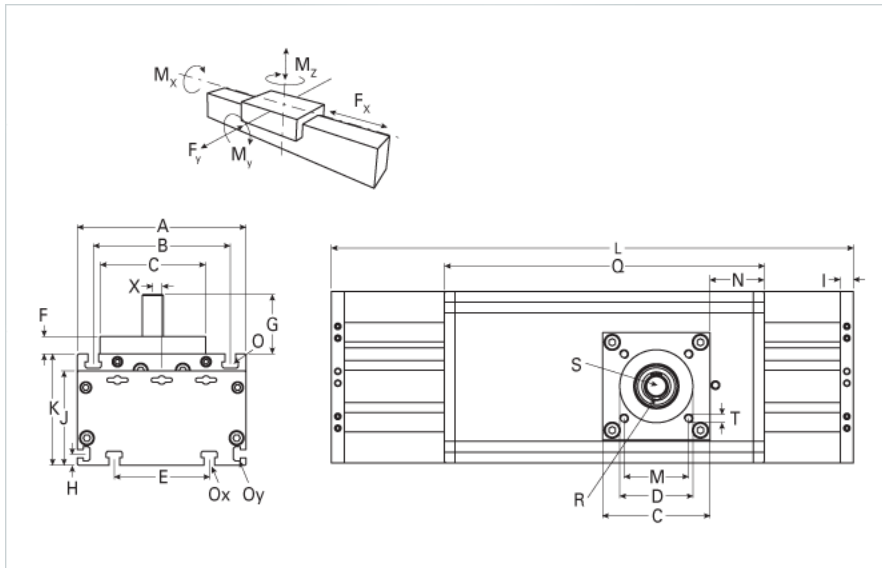
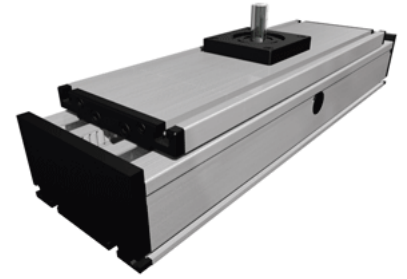


DLZA 160 Extended Carriage, Six Split Rollers

Call 800-321-7800 or visit us online at www.nookindustries.com to configure and order your DLZA 160 Extended Carriage, Six Split Rollers today!



Details

Size

160

Dimensions

Basic Length L [mm]

340

A [mm]

160

B [mm]

130

C [mm]

100

D [mm]

68

E [mm]

90

F [mm]

16.5

G [mm]

56.5

H [mm]

11

J [mm]

90

K [mm]

106

M

60

N

59

O

M8

Ox

M8

Oy

M6

P [mm]

12

Q [mm]

300

T

M8

U [mm]

80

X [mm]

8.5

Speed

Speed Maximum [m/s]

3

Forces and Torques

No-load torque [Nm]

1.5

Tensile force 0.2 sec [N]

2090

Tensile force permanent [N]

1900

Fx dynamic [N]

1800

Fy dynamic [N]

2000

Fz dynamic [N]

2800

Mx dynamic [Nm]

320

My dynamic [Nm]

300

Mz dynamic [Nm]

150

Fx static [N]

1900

Fy static [N]

3000

Fz static [N]

3500

Mx static [Nm]

400

My static [Nm]

360

Mz static [Nm]

180

Geometrical moments of inertia of aluminum profile

Elastic modulus [N/mm²]

70000

Ix [mm⁴]

2220000

Iy [mm⁴]

12200000

Weight

Additional Weight per 100 mm [kg]

2.10

Basic Weight [kg]

13.0
