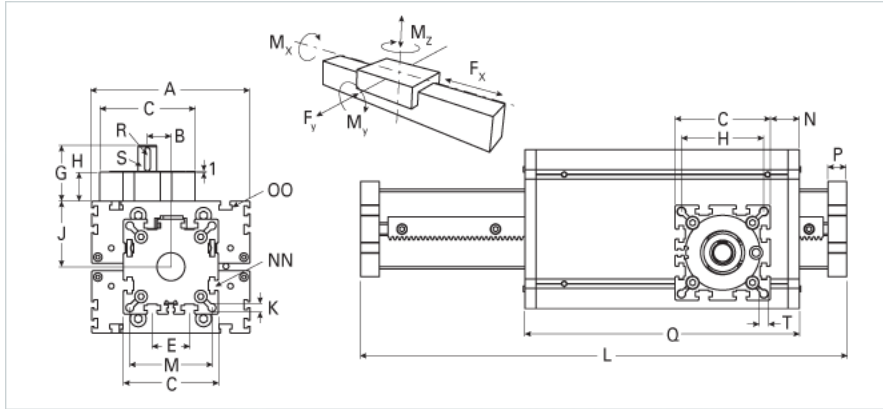
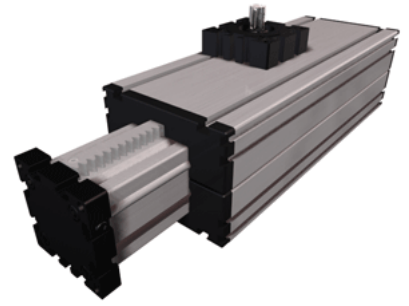


ELZQ 80S h7 WAC Extended Carriage

Call 800-321-7800 or visit us online at www.nookindustries.com to configure and order your ELZQ 80S h7 WAC Extended Carriage today!



| | |
|---|---------|
| Details | |
| Size | 80S |
| Dimensions | |
| Basic Length L [mm] | 466 |
| A [mm] | 190 |
| B [mm] | 25.5 |
| C [mm] | 102 |
| D [mm] | 80 |
| E [mm] | 40 |
| G [mm] | 62.5 |
| H [mm] | 33 |
| J [mm] | 71 |
| K [mm] | 8.5 |
| M [mm] | 88 |
| N [mm] | 25 |
| NN | M10 |
| OO | M8 |
| P [mm] | 20 |
| Q [mm] | 420 |
| T | M10 |
| Speed | |
| Speed Maximum [m/s] | 4 |
| Forces and Torques | |
| Fx dynamic [N] | 780 |
| Fy dynamic [N] | 3600 |
| Fz dynamic [N] | 1800 |
| Mx dynamic [Nm] | 140 |
| My dynamic [Nm] | 230 |
| Mz dynamic [Nm] | 220 |
| Fx static [N] | 940 |
| Fy static [N] | 4600 |
| Fz static [N] | 3000 |
| Mx static [Nm] | 170 |
| My static [Nm] | 270 |
| Mz static [Nm] | 300 |
| Geometrical moments of inertia of aluminum profile | |
| Elastic modulus [N/mm ²] | 70000 |
| Ix [mm ⁴] | 1899000 |
| Iy [mm ⁴] | 1897000 |
| Weight | |
| Additional Weight per 100 mm [kg] | 1.19 |
| Basic Weight [kg] | 12.0 |