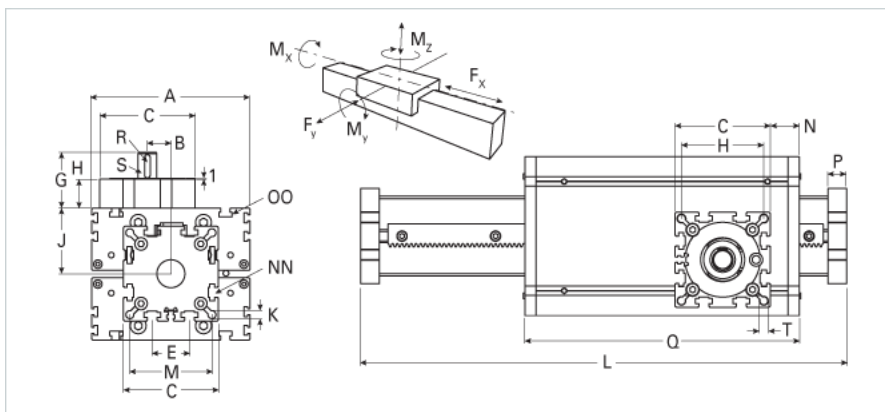
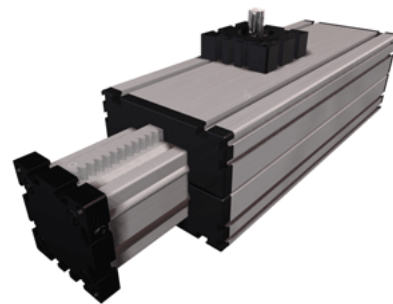


## ELZQ 80S h6 WAC Extended Carriage

Call 800-321-7800 or visit us online at [www.nookindustries.com](http://www.nookindustries.com) to configure and order your ELZQ 80S h6 WAC Extended Carriage today!



| <b>Details</b>  |         |
|---|---------|
| Size  | 80S     |
| <b>Dimensions</b>   |         |
| Basic Length L [mm]                                       | 466     |
| A [mm]  | 190     |
| B [mm]  | 25.5    |
| C [mm]  | 102     |
| D [mm]  | 80      |
| E [mm]  | 40      |
| G [mm]  | 62.5    |
| H [mm]  | 33      |
| J [mm]  | 71      |
| K [mm]  | 8.5     |
| M [mm]  | 88      |
| N [mm]  | 25      |
| NN  | M10     |
| OO  | M8      |
| P [mm]  | 20      |
| Q [mm]  | 420     |
| T   | M10     |
| <b>Speed</b>  |         |
| Speed Maximum [m/s]                                       | 4       |
| <b>Forces and Torques</b>                                 |         |
| Fx dynamic [N]  | 1400    |
| Fy dynamic [N]  | 3600    |
| Fz dynamic [N]  | 1800    |
| Mx dynamic [Nm]   | 140     |
| My dynamic [Nm]   | 230     |
| Mz dynamic [Nm]   | 220     |
| Fx static [N]   | 1800    |
| Fy static [N]   | 4600    |
| Fz static [N]   | 3000    |
| Mx static [Nm]  | 170     |
| My static [Nm]  | 270     |
| Mz static [Nm]  | 300     |
| <b>Geometrical moments of inertia of aluminum profile</b> |         |
| Elastic modulus [N/mm <sup>2</sup> ]                      | 70000   |
| Ix [mm <sup>4</sup> ]                                     | 1899000 |
| Iy [mm <sup>4</sup> ]                                     | 1897000 |
| <b>Weight</b>   |         |
| Additional Weight per 100 mm [kg]                         | 1.19    |
| Basic Weight [kg]   | 12.0    |