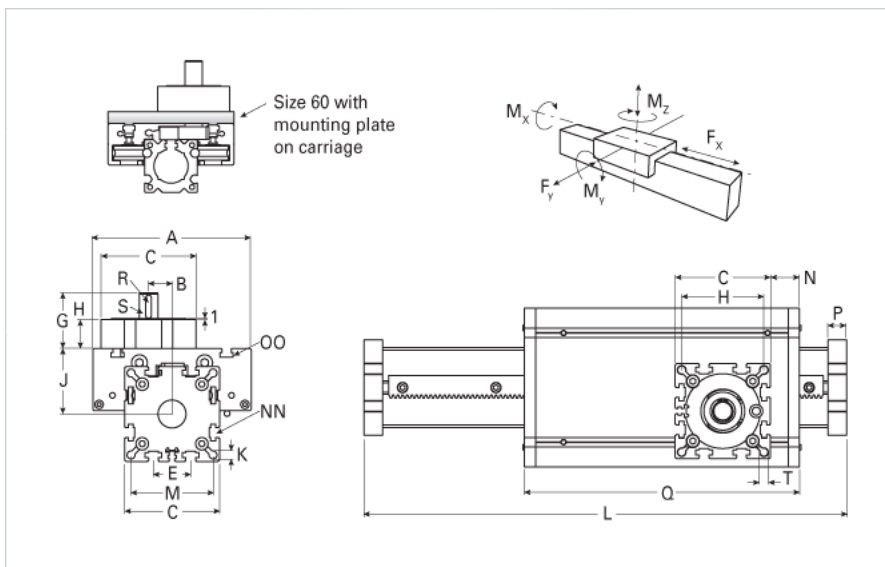
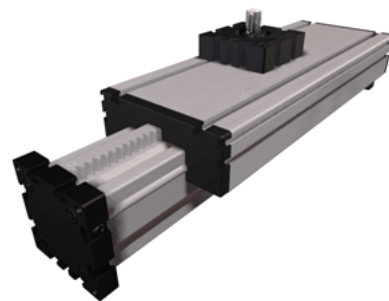


ELZQ 60 h7 Extended Carriage

Call 800-321-7800 or visit us online at www.nookindustries.com to configure and order your ELZQ 60 h7 Extended Carriage today!



| Details | |
|---|--------|
| Size | 60 |
| Dimensions | |
| Basic Length L [mm] | 374 |
| A [mm] | 144 |
| B [mm] | 25.5 |
| C [mm] | 82 |
| D [mm] | 62 |
| E [mm] | 30 |
| G [mm] | 71.5 |
| H [mm] | 42 |
| J [mm] | 49 |
| K [mm] | 8.5 |
| M [mm] | 69 |
| N [mm] | 32 |
| NN | M8 |
| OO | M8 |
| P [mm] | 16 |
| Q [mm] | 338 |
| T | M10 |
| Speed | |
| Speed Maximum [m/s] | 4 |
| Forces and Torques | |
| Fx dynamic [N] | 780 |
| Fy dynamic [N] | 2000 |
| Fz dynamic [N] | 1100 |
| Mx dynamic [Nm] | 43 |
| My dynamic [Nm] | 70 |
| Mz dynamic [Nm] | 100 |
| Fx static [N] | 940 |
| Fy static [N] | 3000 |
| Fz static [N] | 1700 |
| Mx static [Nm] | 67 |
| My static [Nm] | 90 |
| Mz static [Nm] | 120 |
| Geometrical moments of inertia of aluminum profile | |
| Elastic modulus [N/mm ²] | 70000 |
| Ix [mm ⁴] | 679000 |
| Iy [mm ⁴] | 697000 |
| Weight | |
| Additional Weight per 100 mm [kg] | 0.68 |
| Basic Weight [kg] | 5.3 |