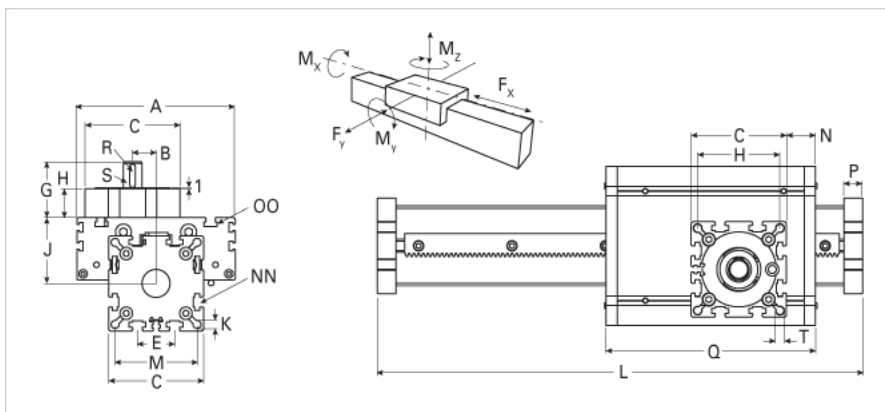
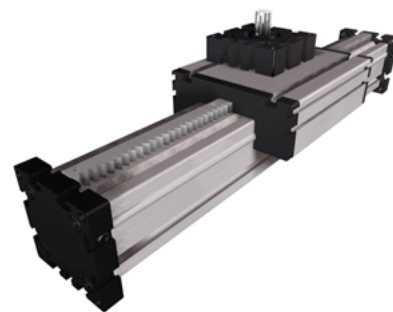


ELZQ 80 h6

Call 800-321-7800 or visit us online at www.nookindustries.com to configure and order your ELZQ 80 h6 today!



Details	
Size	80
Dimensions	
Basic Length L [mm]	260
A [mm]	170
B [mm]	25.5
C [mm]	102
D [mm]	80
E [mm]	40
G [mm]	60.5
H [mm]	31
J [mm]	70
K [mm]	8.8
M [mm]	88
N [mm]	25
NN	M10
OO	M10
P [mm]	20
Q [mm]	214
T	M10
Speed	
Speed Maximum [m/s]	4
Forces and Torques	
F _x dynamic [N]	1400
F _y dynamic [N]	2000
F _z dynamic [N]	1100
M _x dynamic [Nm]	55
M _y dynamic [Nm]	80
M _z dynamic [Nm]	120
F _x static [N]	1800
F _y static [N]	3000
F _z static [N]	1700
M _x static [Nm]	90
M _y static [Nm]	110
M _z static [Nm]	150
Geometrical moments of inertia of aluminum profile	
Elastic modulus [N/mm ²]	70000
I _x [mm ⁴]	1899000
I _y [mm ⁴]	1897000
Weight	
Additional Weight per 100 mm [kg]	1.19
Basic Weight [kg]	11.0