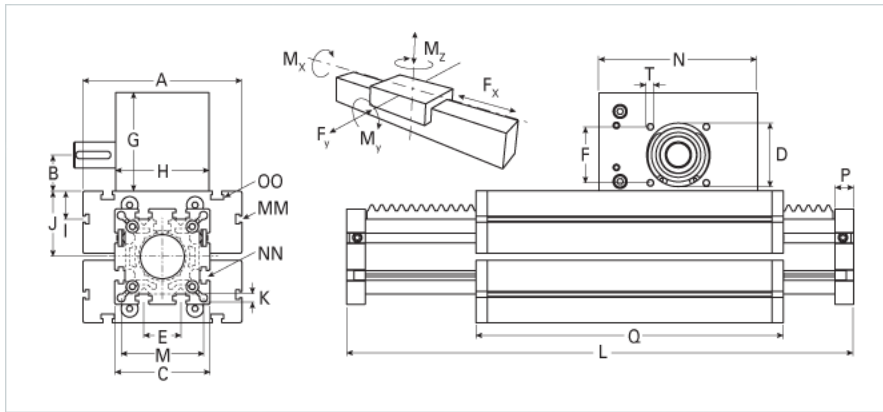
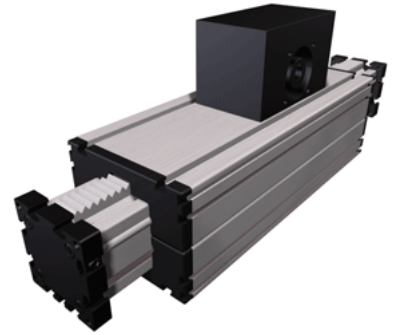


ELZA 100 WAC Extended Carriage

Call 800-321-7800 or visit us online at www.nookindustries.com to configure and order your ELZA 100 WAC Extended Carriage today!



Details	
Size	100
Dimensions	
Basic Length L [mm]	581
A [mm]	230
B [mm]	55.3
C [mm]	130
D [mm]	90
E [mm]	50
F [mm]	80
G [mm]	155
H [mm]	120
I [mm]	29
J [mm]	89
K [mm]	10.5
M [mm]	112
MM	M10
N [mm]	240
NN	M10
OO	M10
P [mm]	30
Q [mm]	521
T	M10
X [mm]	-
Speed	
Speed Maximum [m/s]	3
Forces and Torques	
F _x dynamic [N]	2500
F _y dynamic [N]	6500
F _z dynamic [N]	2200
M _x dynamic [Nm]	230
M _y dynamic [Nm]	270
M _z dynamic [Nm]	500
F _x static [N]	2900
F _y static [N]	8000
F _z static [N]	3600
M _x static [Nm]	300
M _y static [Nm]	400
M _z static [Nm]	750
Geometrical moments of inertia of aluminum profile	
Elastic modulus [N/mm ²]	70000
I _x [mm ⁴]	4440000
I _y [mm ⁴]	4480000
Weight	
Additional Weight per 100 mm [kg]	1.75
Basic Weight [kg]	24.0