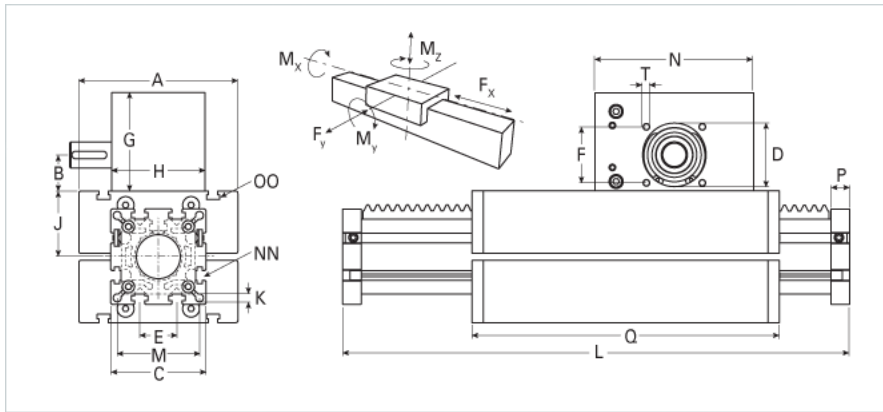
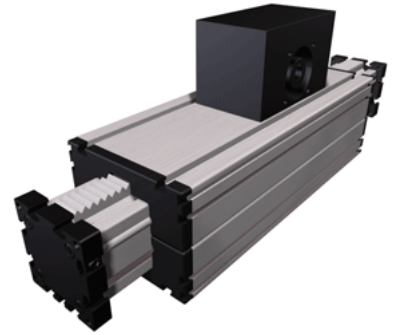


ELZA 60 WAC Extended Carriage

Call 800-321-7800 or visit us online at www.nookindustries.com to configure and order your ELZA 60 WAC Extended Carriage today!



Details	
Size	60
Dimensions	
Basic Length L [mm]	256
A [mm]	144
B [mm]	28.0
C [mm]	82
D [mm]	47
E [mm]	30
F [mm]	42
G [mm]	75
H [mm]	63
I [mm]	-
J [mm]	49
K [mm]	8.5
M [mm]	69
MM	-
N [mm]	130
NN	M8
OO	M8
P [mm]	16
Q [mm]	319
T	M6
X [mm]	-
Speed	
Speed Maximum [m/s]	2.5
Forces and Torques	
Fx dynamic [N]	1200
Fy dynamic [N]	2000
Fz dynamic [N]	1100
Mx dynamic [Nm]	43
My dynamic [Nm]	70
Mz dynamic [Nm]	100
Fx static [N]	1500
Fy static [N]	3000
Fz static [N]	1700
Mx static [Nm]	67
My static [Nm]	90
Mz static [Nm]	120
Geometrical moments of inertia of aluminum profile	
Elastic modulus [N/mm ²]	70000
Ix [mm ⁴]	679000
Iy [mm ⁴]	697000
Weight	
Additional Weight per 100 mm [kg]	0.68
Basic Weight [kg]	5.3