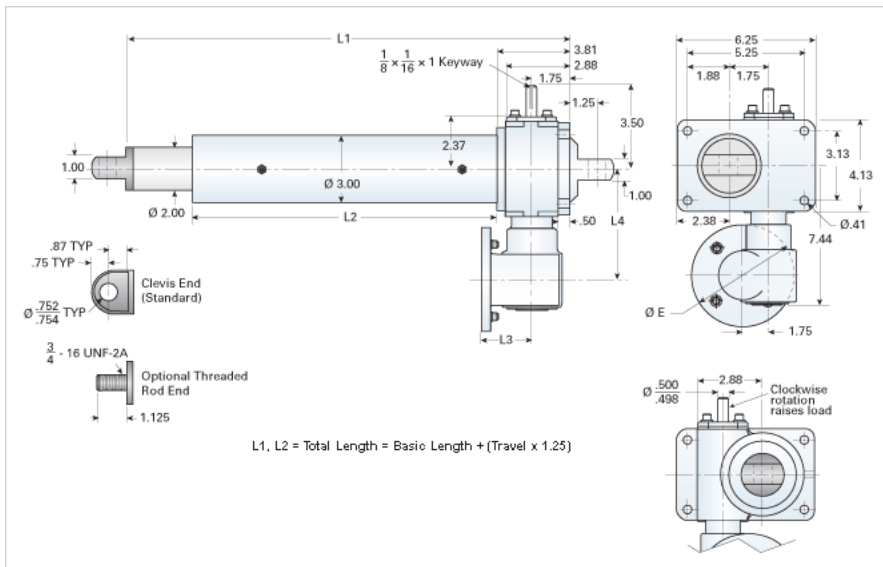


## RAD-2566-A4

Call 800-321-7800 or visit us online at [www.nookindustries.com](http://www.nookindustries.com) to configure and order your RAD-2566-A4 today!



### Details

|                                |        |
|--------------------------------|--------|
| Gear Ratio Primary Reduction   | 6:1    |
| Gear Ratio Secondary Reduction | 6:1    |
| Max Capacity [lb]              | 5000   |
| Input Turns per Inch of Travel | 144    |
| Torque to Raise 1 lb. [in-lb]  | 0.0064 |
| Acme Screw                     | 1-4 RA |
| Screw Lead [in]                | 0.250  |
| Root Diameter [in]             | 0.698  |
| Max HP [hp]                    | 1      |

### Weight

|                         |      |
|-------------------------|------|
| Basic Weight [lb]       | 44   |
| Per Inch of Travel [lb] | 1.00 |

### Tube Dimensions

|                      |       |
|----------------------|-------|
| L1 Basic Length [in] | 10.38 |
| L2 Basic Length [in] | 4.75  |

### NEMA 56C Dimensions

|         |      |
|---------|------|
| L3 [in] | 3.69 |
| L4 [in] | 5.63 |
| E [in]  | 6.69 |

### NEMA 180TC Dimensions

|         |   |
|---------|---|
| L3 [in] | - |
| L4 [in] | - |
| F [in]  | - |