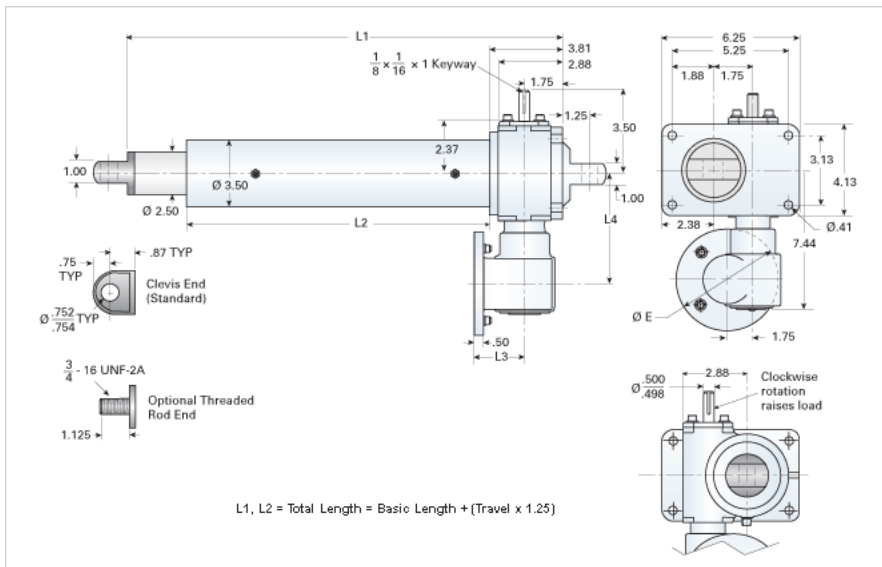


## RAD-3062-HD

Call 800-321-7800 or visit us online at [www.nookindustries.com](http://www.nookindustries.com) to configure and order your RAD-3062-HD today!



### Details

|                                |                  |
|--------------------------------|------------------|
| Gear Ratio Primary Reduction   | 6:1              |
| Gear Ratio Secondary Reduction | 12:1             |
| Max Capacity [lb]              | 6000             |
| Input Turns Per Inch Of Travel | 174.36           |
| Torque To Raise 1 lb. [in-lb]  | 0.0026           |
| Ball Screw                     | 1171-0413 SRT RA |
| Screw Lead [in]                | 0.413            |
| Root Diameter [in]             | 0.870            |
| Max HP [hp]                    | 0.33             |

### Weight

|                         |      |
|-------------------------|------|
| Basic Weight [lb]       | 51   |
| Per Inch of Travel [lb] | 1.31 |

### Tube Dimensions

|                      |       |
|----------------------|-------|
| L1 Basic Length [in] | 12.44 |
| L2 Basic Length [in] | 7.31  |

### NEMA 56C Dimensions

|         |      |
|---------|------|
| L3 [in] | 3.69 |
| L4 [in] | 5.63 |
| E [in]  | 6.69 |

### NEMA 180TC Dimensions

|         |   |
|---------|---|
| L3 [in] | - |
| L4 [in] | - |
| F [in]  | - |