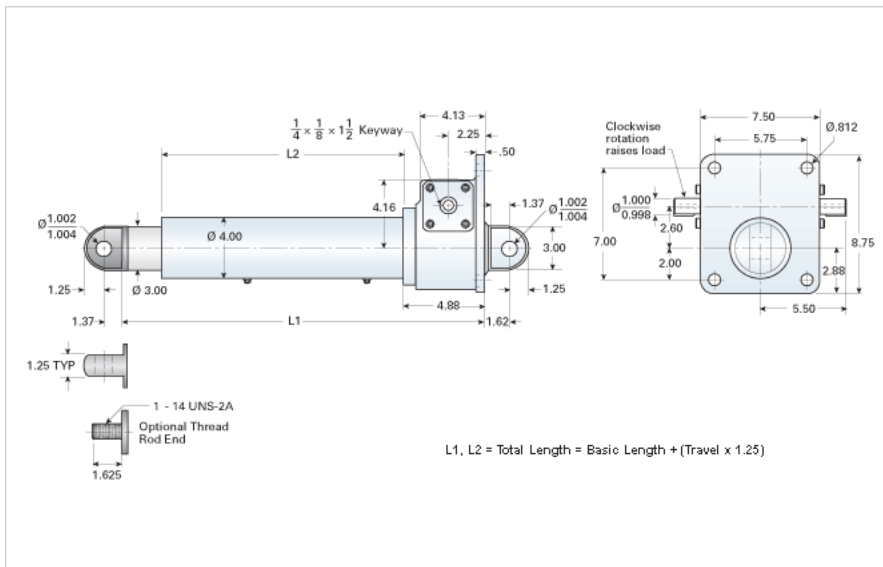


## DD-10024-A2

Call 800-321-7800 or visit us online at [www.nookindustries.com](http://www.nookindustries.com) to configure and order your DD-10024-A2 today!



### Details

Gear Ratio	24:1
Max Capacity [lb]	20000
Input Turns Per Inch Of Travel	48
Torque To Raise 1 lb. [in-lb]	0.0192
Acme Screw	2-2 RA
Screw Lead [in]	0.500
Root Diameter [in]	1.140
Max HP [hp]	1.5

### Weight

Basic Weight [lb]	77
Per Inch of Travel [lb]	2.50

### Tube Dimensions

L1 Basic Length [in]	12.88
L2 Basic Length [in]	6.50

### NEMA 42 Dimensions

L3 [in]	-
E [in]	-
F [in]	-

### NEMA 48 Dimensions

L3 [in]	-
E [in]	-
F [in]	-

### NEMA 56C Dimensions

L3 [in]	8.25
E [in]	6.75
F [in]	4.38

### NEMA 182TC Dimensions

L3 [in]	9.00
E [in]	9.25
F [in]	4.38

### NEMA 184TC Dimensions

L3 [in]	-
E [in]	-
F [in]	-

### NEMA 213TC Dimensions

L3 [in]	-
E [in]	-
F [in]	-