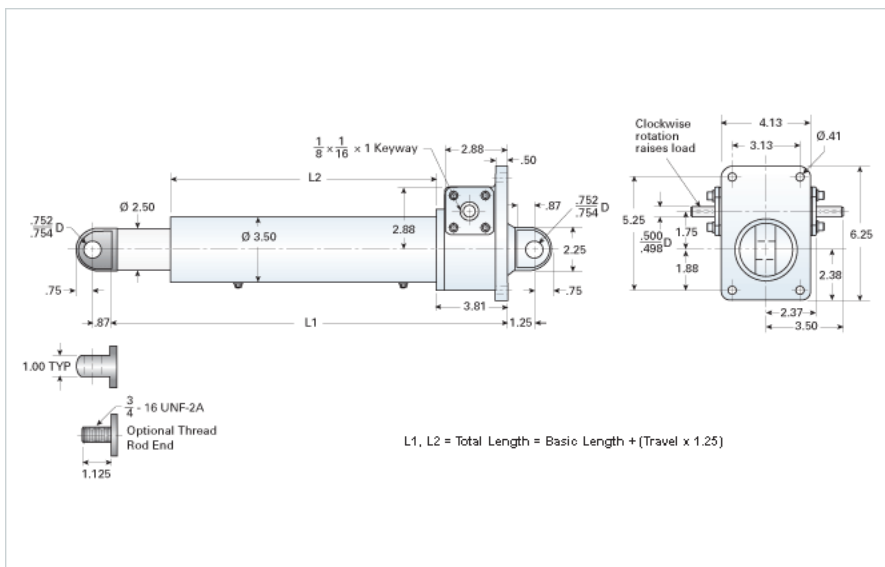


DD-3012-A4

Call 800-321-7800 or visit us online at www.nookindustries.com to configure and order your DD-3012-A4 today!



Details

Gear Ratio	12:1
Max Capacity [lb]	6000
Input Turns Per Inch Of Travel	48
Torque To Raise 1 lb. [in-lb]	0.0165
Acme Screw	1 1/4-4 RA
Screw Lead [in]	0.250
Root Diameter [in]	0.947
Max HP [hp]	1.5

Weight

Basic Weight [lb]	33
Per Inch of Travel [lb]	1.38

Tube Dimensions

L1 Basic Length [in]	10.50
L2 Basic Length [in]	5.13

NEMA 42 Dimensions

L3 [in]	-
E [in]	-
F [in]	-

NEMA 48 Dimensions

L3 [in]	-
E [in]	-
F [in]	-

NEMA 56C Dimensions

L3 [in]	6.25
E [in]	6.62
F [in]	3.50

NEMA 182TC Dimensions

L3 [in]	-
E [in]	-
F [in]	-

NEMA 184TC Dimensions

L3 [in]	-
E [in]	-
F [in]	-

NEMA 213TC Dimensions

L3 [in]	-
E [in]	-
F [in]	-