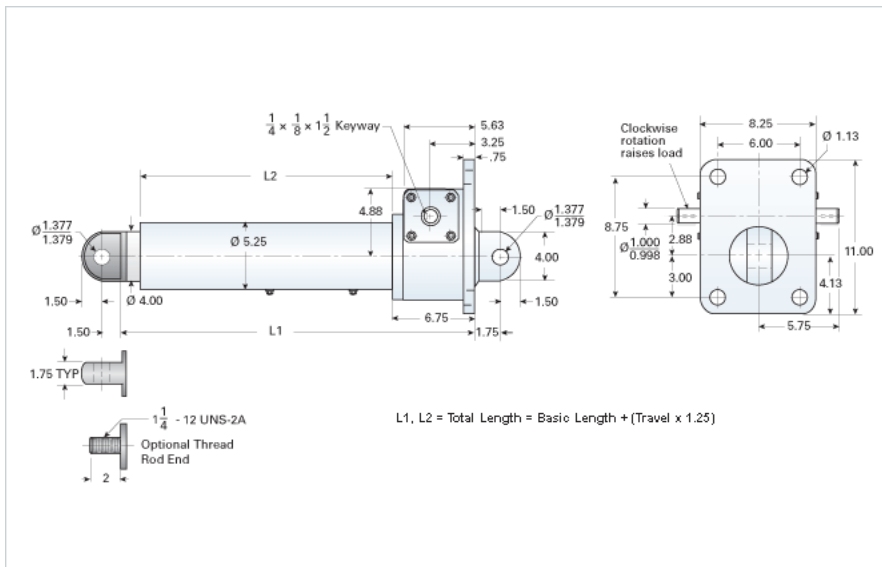


DD-2008-HL

Call 800-321-7800 or visit us online at www.nookindustries.com to configure and order your DD-2008-HL today!



Details

Gear Ratio	8:1
Max Capacity [lb]	40000
Input Turns Per Inch Of Travel	8
Torque To Raise 1 lb. [in-lb]	0.0313
Ball Screw	2250-1000 SRT RA
Screw Lead [in]	1.000
Root Diameter [in]	1.850
Max HP [hp]	7.5

Weight

Basic Weight [lb]	154
Per Inch of Travel [lb]	3.31

Tube Dimensions

L1 Basic Length [in]	21.13
L2 Basic Length [in]	12.63

NEMA 42 Dimensions

L3 [in]	-
E [in]	-
F [in]	-

NEMA 48 Dimensions

L3 [in]	-
E [in]	-
F [in]	-

NEMA 56C Dimensions

L3 [in]	8.65
E [in]	6.75
F [in]	5.19

NEMA 182TC Dimensions

L3 [in]	-
E [in]	-

NEMA 182TC/18TCc Dimensions

F [in]	-
--------	---

NEMA 184TC Dimensions

L3 [in]	9.00
E [in]	9.25
F [in]	5.19

NEMA 213TC Dimensions

L3 [in]	9.65
E [in]	9.25
F [in]	5.69