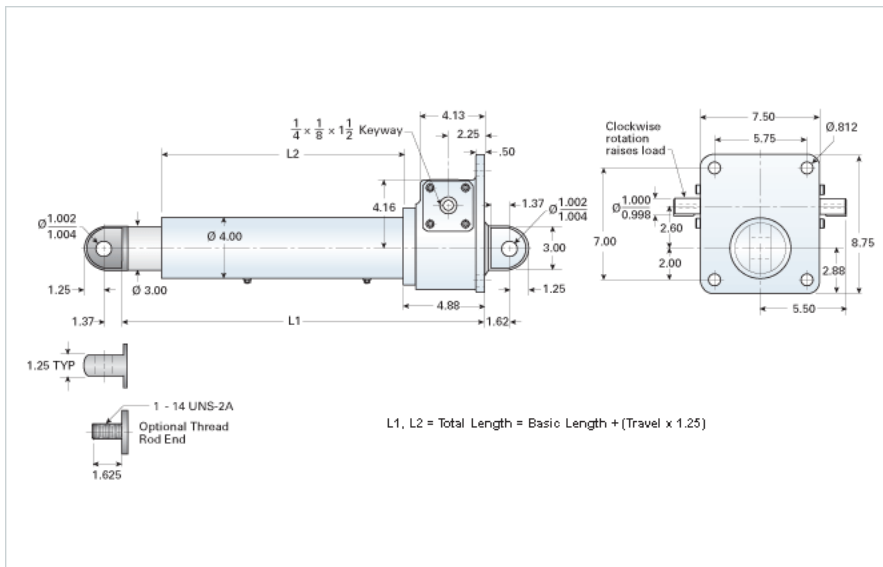


DD-1008-HL

Call 800-321-7800 or visit us online at www.nookindustries.com to configure and order your DD-1008-HL today!



Details

| | |
|--------------------------------|------------------|
| Gear Ratio | 8:1 |
| Max Capacity [lb] | 20000 |
| Input Turns Per Inch Of Travel | 8 |
| Torque To Raise 1 lb. [in-lb] | 0.0319 |
| Ball Screw | 1500-1000 SRT RA |
| Screw Lead [in] | 1.000 |
| Root Diameter [in] | 1.000 |
| Max HP [hp] | 5 |

Weight

| | |
|-------------------------|------|
| Basic Weight [lb] | 80 |
| Per Inch of Travel [lb] | 1.92 |

Tube Dimensions

| | |
|----------------------|-------|
| L1 Basic Length [in] | 15.25 |
| L2 Basic Length [in] | 8.88 |

NEMA 42 Dimensions

| | |
|---------|---|
| L3 [in] | - |
| E [in] | - |
| F [in] | - |

NEMA 48 Dimensions

| | |
|---------|---|
| L3 [in] | - |
| E [in] | - |
| F [in] | - |

NEMA 56C Dimensions

| | |
|---------|------|
| L3 [in] | 8.25 |
| E [in] | 4.38 |
| F [in] | 6.75 |

NEMA 182TC Dimensions

| | |
|---------|------|
| L3 [in] | 9.00 |
| E [in] | 9.25 |

NEMA 182TC/18TCc Dimensions

| | |
|--------|------|
| F [in] | 4.38 |
|--------|------|

NEMA 184TC Dimensions

| | |
|---------|---|
| L3 [in] | - |
| E [in] | - |
| F [in] | - |

NEMA 213TC Dimensions

| | |
|---------|---|
| L3 [in] | - |
| E [in] | - |
| F [in] | - |