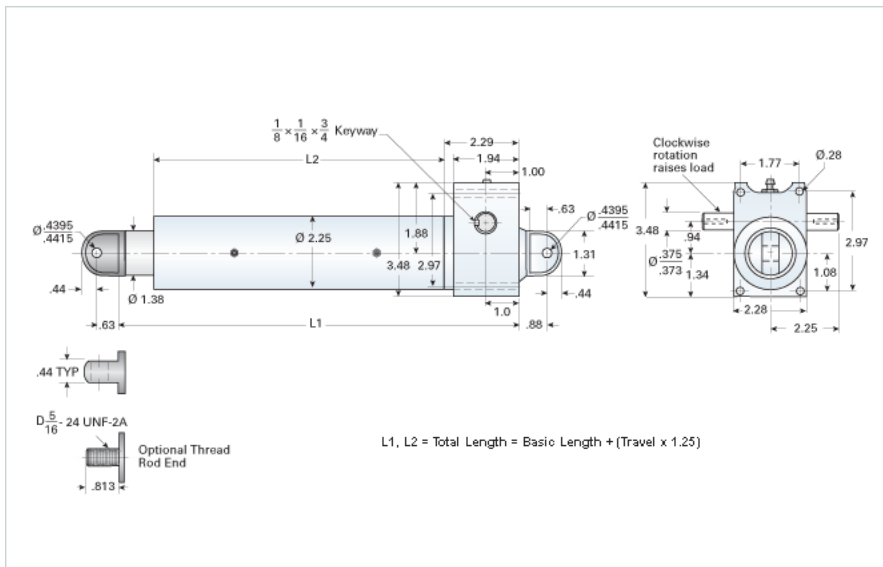


DD-55-HD

Call 800-321-7800 or visit us online at www.nookindustries.com to configure and order your DD-55-HD today!



Details

| | |
|--------------------------------|------------------|
| Gear Ratio | 5:1 |
| Max Capacity [lb] | 1000 |
| Input Turns Per Inch Of Travel | 25 |
| Torque To Raise 1 lb. [in-lb] | 0.0095 |
| Ball Screw | 0631-0200 SRT RA |
| Screw Lead [in] | 0.200 |
| Root Diameter [in] | 0.500 |
| Max HP [hp] | 0.33 |

Weight

| | |
|-------------------------|------|
| Basic Weight [lb] | 12 |
| Per Inch of Travel [lb] | 0.65 |

Tube Dimensions

| | |
|----------------------|------|
| L1 Basic Length [in] | 8.06 |
| L2 Basic Length [in] | 5.00 |

NEMA 42 Dimensions

| | |
|---------|------|
| L3 [in] | 4.48 |
| E [in] | 4.63 |
| F [in] | 2.69 |

NEMA 48 Dimensions

| | |
|---------|------|
| L3 [in] | 4.48 |
| E [in] | 4.63 |
| F [in] | 3.12 |

NEMA 56C Dimensions

| | |
|---------|---|
| L3 [in] | - |
| E [in] | - |
| F [in] | - |

NEMA 182TC Dimensions

| | |
|---------|---|
| L3 [in] | - |
| E [in] | - |

NEMA 182TC/18TCc Dimensions

| | |
|--------|---|
| F [in] | - |
|--------|---|

NEMA 184TC Dimensions

| | |
|---------|---|
| L3 [in] | - |
| E [in] | - |
| F [in] | - |

NEMA 213TC Dimensions

| | |
|---------|---|
| L3 [in] | - |
| E [in] | - |
| F [in] | - |