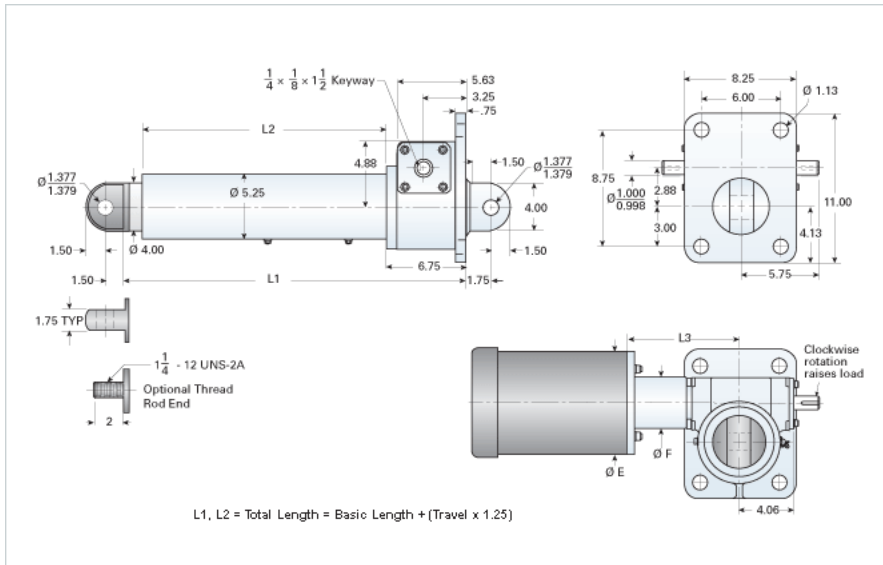


DD-20024-HD/20XX

Call 800-321-7800 or visit us online at www.nookindustries.com to configure and order your DD-20024-HD/20XX today!



Performance Specifications

Travel Rate [in/min]	36
Dynamic Capacity [lb]	7000
Rated Life [in]	28000000
Motor Horse Power [hp]	2
Maximum Rod Reaction Torque [in-lb]	620
Std. Brake Torque [ft-lb]	10
Approximate Stopping Distance No Load [in]	0.10
Approximate Stopping Distance Full Load [in]	0.10

Details

Gear Ratio	24:1
Input Turns Per Inch Of Travel	48
Torque To Raise 1 lb. [in-lb]	0.0079
Max Capacity [lb]	40000
Max HP [hp]	7.5

Weight

Basic Weight [lb]	154
Per Inch of Travel [lb]	3.31

Tube Dimensions

L1 Basic Length [in]	21.13
L2 Basic Length [in]	12.63

NEMA 42 Dimensions

L3 [in]	-
E [in]	-
F [in]	-

NEMA 48 Dimensions

L3 [in]	-
E [in]	-
F [in]	-

NEMA 56C Dimensions

L3 [in]	8.65
E [in]	6.75
F [in]	5.19

NEMA 182TC Dimensions

L3 [in]	-
E [in]	-
F [in]	-

NEMA 184TC Dimensions

L3 [in]	9.00
E [in]	9.25
F [in]	5.19

NEMA 213TC Dimensions

L3 [in]	9.65
E [in]	9.25
F [in]	5.69