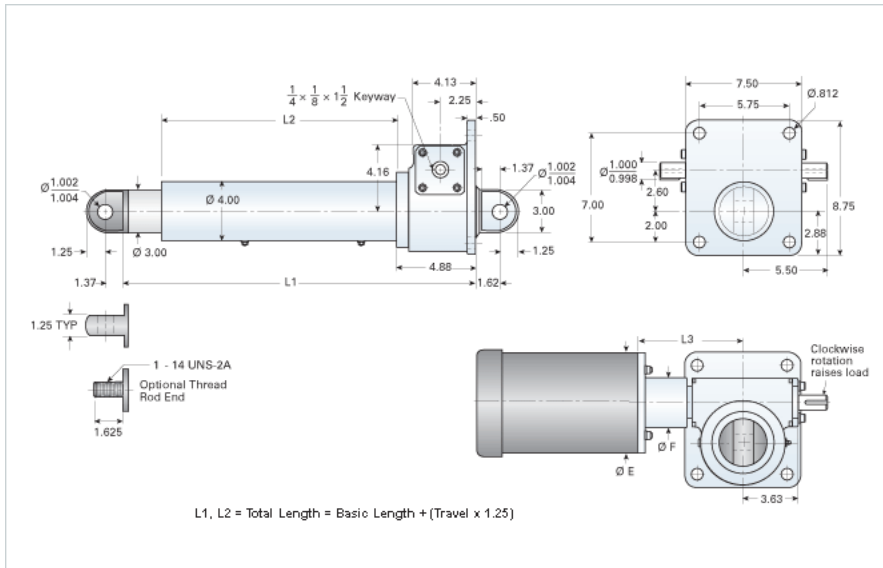


DD-10024-HL/15XX

Call 800-321-7800 or visit us online at www.nookindustries.com to configure and order your DD-10024-HL/15XX today!



Performance Specifications

Travel Rate [in/min]	72
Dynamic Capacity [lb]	2700
Rated Life [in]	22000000
Motor Horse Power [hp]	1.5
Maximum Rod Reaction Torque [in-lb]	478
Std. Brake Torque [ft-lb]	0.15
Approximate Stopping Distance No Load [in]	0.16
Approximate Stopping Distance Full Load [in]	6.00

Details

Gear Ratio	24:1
Input Turns Per Inch Of Travel	24
Torque To Raise 1 lb. [in-lb]	0.0162
Max Capacity [lb]	20000
Max HP [hp]	1.5

Weight

Basic Weight [lb]	80
Per Inch of Travel [lb]	1.92

Tube Dimensions

L1 Basic Length [in]	15.25
L2 Basic Length [in]	8.88

NEMA 42 Dimensions

L3 [in]	-
E [in]	-
F [in]	-

NEMA 48 Dimensions

L3 [in]	-
E [in]	-
F [in]	-

NEMA 56C Dimensions

L3 [in]	8.25
E [in]	6.75
F [in]	4.38

NEMA 182TC Dimensions

L3 [in]	-
E [in]	-
F [in]	-

NEMA 184TC Dimensions

L3 [in]	9.00
E [in]	9.25
F [in]	4.38

NEMA 213TC Dimensions

L3 [in]	-
E [in]	-
F [in]	-