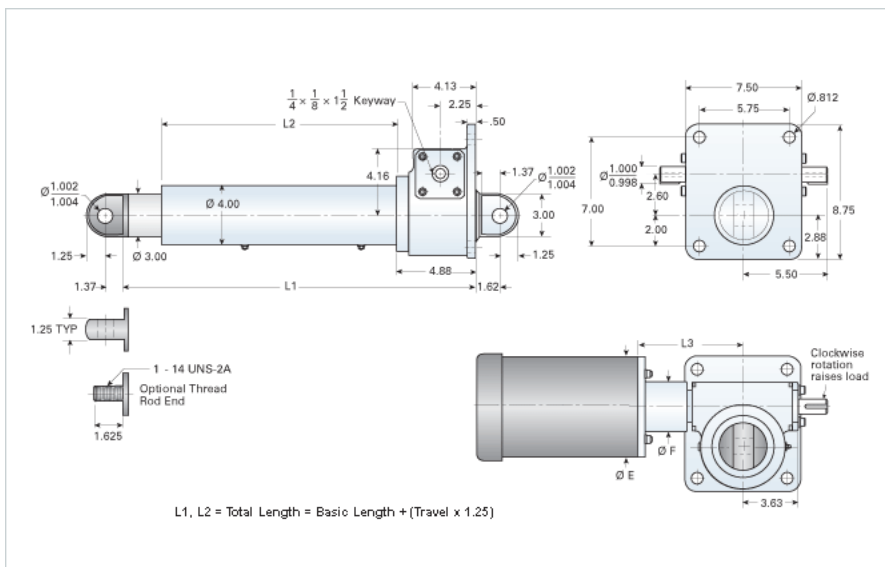


DD-1008-SL/20XX

Call 800-321-7800 or visit us online at www.nookindustries.com to configure and order your DD-1008-SL/20XX today!



Performance Specifications

Travel Rate [in/min]	404
Dynamic Capacity [lb]	1150
Rated Life [in]	24000000
Motor Horse Power [hp]	2
Maximum Rod Reaction Torque [in-lb]	385
Std. Brake Torque [ft-lb]	0.6
Approximate Stopping Distance No Load [in]	0.90
Approximate Stopping Distance Full Load [in]	10.00

Details

Gear Ratio	8:1
Input Turns Per Inch Of Travel	4.26
Torque To Raise 1 lb. [in-lb]	0.0598
Max Capacity [lb]	20000
Max HP [hp]	5

Weight

Basic Weight [lb]	80
Per Inch of Travel [lb]	1.92

Tube Dimensions

L1 Basic Length [in]	15.25
L2 Basic Length [in]	8.88

NEMA 42 Dimensions

L3 [in]	-
E [in]	-
F [in]	-

NEMA 48 Dimensions

L3 [in]	-
E [in]	-
F [in]	-

NEMA 56C Dimensions

L3 [in]	8.25
E [in]	6.75
F [in]	4.38

NEMA 182TC Dimensions

L3 [in]	-
E [in]	-
F [in]	-

NEMA 184TC Dimensions

L3 [in]	9.00
E [in]	9.25
F [in]	4.38

NEMA 213TC Dimensions

L3 [in]	-
E [in]	-
F [in]	-