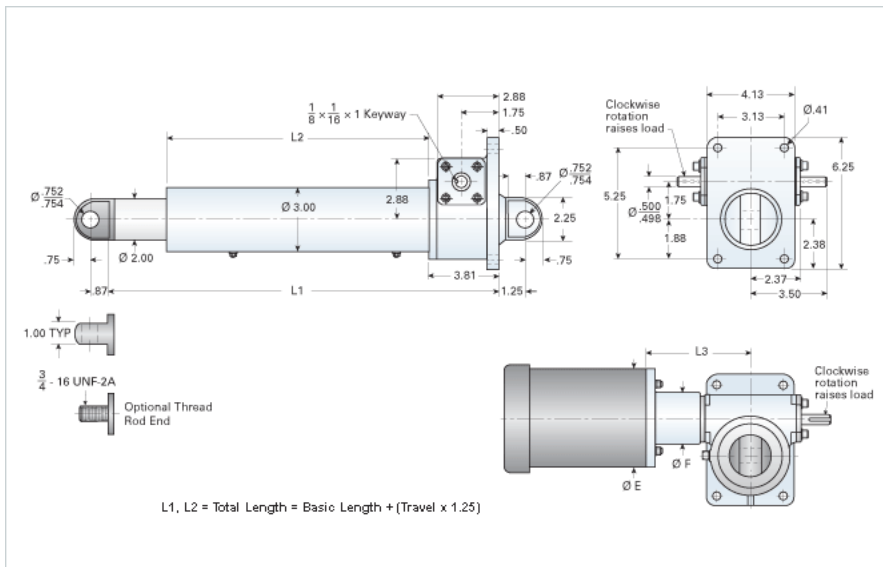


## DD-256-ML/15XX

Call 800-321-7800 or visit us online at [www.nookindustries.com](http://www.nookindustries.com) to configure and order your DD-256-ML/15XX today!



### Performance Specifications

Travel Rate [in/min]	144
Dynamic Capacity [lb]	1800
Rated Life [in]	7000000
Motor Horse Power [hp]	1.5
Maximum Rod Reaction Torque [in-lb]	159
Std. Brake Torque [ft-lb]	0.25
Approximate Stopping Distance No Load [in]	0.43
Approximate Stopping Distance Full Load [in]	6.00

### Details

Gear Ratio	6:1
Input Turns Per Inch Of Travel	12
Torque To Raise 1 lb. [in-lb]	0.0201
Max Capacity [lb]	5000
Max HP [hp]	2

### Weight

Basic Weight [lb]	33
Per Inch of Travel [lb]	1.05

### Tube Dimensions

L1 Basic Length [in]	12.44
L2 Basic Length [in]	7.13

### NEMA 42 Dimensions

L3 [in]	-
E [in]	-
F [in]	-

### NEMA 48 Dimensions

L3 [in]	-
E [in]	-
F [in]	-

### NEMA 56C Dimensions

L3 [in]	6.25
E [in]	6.62
F [in]	3.50

### NEMA 182TC Dimensions

L3 [in]	-
E [in]	-
F [in]	-

### NEMA 184TC Dimensions

L3 [in]	-
E [in]	-
F [in]	-

### NEMA 213TC Dimensions

L3 [in]	-
E [in]	-
F [in]	-