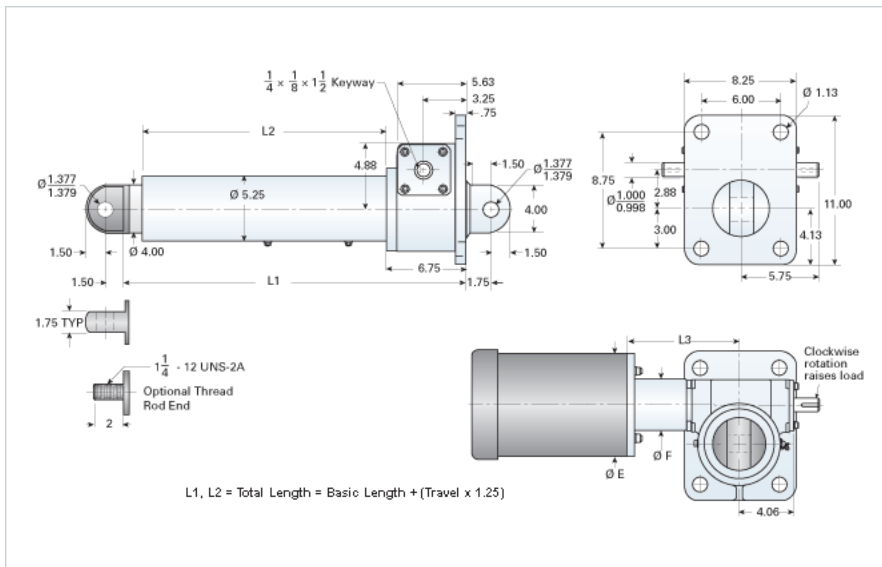


DD-20024-A2/30XX

Call 800-321-7800 or visit us online at www.nookindustries.com to configure and order your DD-20024-A2/30XX today!



Performance Specifications

Travel Rate [in/min]	36
Dynamic Capacity [lb]	3500
Motor Horse Power (ref.) [hp]	3
Std. Brake Torque [ft-lb]	15
Approximate Stopping Distance No Load [in]	0.09
Maximum Rod Reaction Torque [in-lb]	819

Details

Gear Ratio	24:1
Input Turns Per Inch Of Travel	48
Torque To Raise 1 lb. [in-lb]	0.0218
Max Capacity [lb]	40000
Max HP [hp]	2.5

Weight

Basic Weight [lb]	138
Per Inch of Travel [lb]	3.60

Tube Dimensions

L1 Basic Length [in]	17.44
L2 Basic Length [in]	8.94

NEMA 42 Dimensions

L3 [in]	-
E [in]	-
F [in]	-

NEMA 48 Dimensions

L3 [in]	-
E [in]	-
F [in]	-

NEMA 56C Dimensions

L3 [in]	8.65
E [in]	6.75
F [in]	5.18

NEMA 182TC Dimensions

L3 [in]	-
E [in]	-
F [in]	-

NEMA 184TC Dimensions

L3 [in]	-
E [in]	9.25
F [in]	5.19

NEMA 213TC Dimensions

L3 [in]	9.00
E [in]	9.25
F [in]	5.69