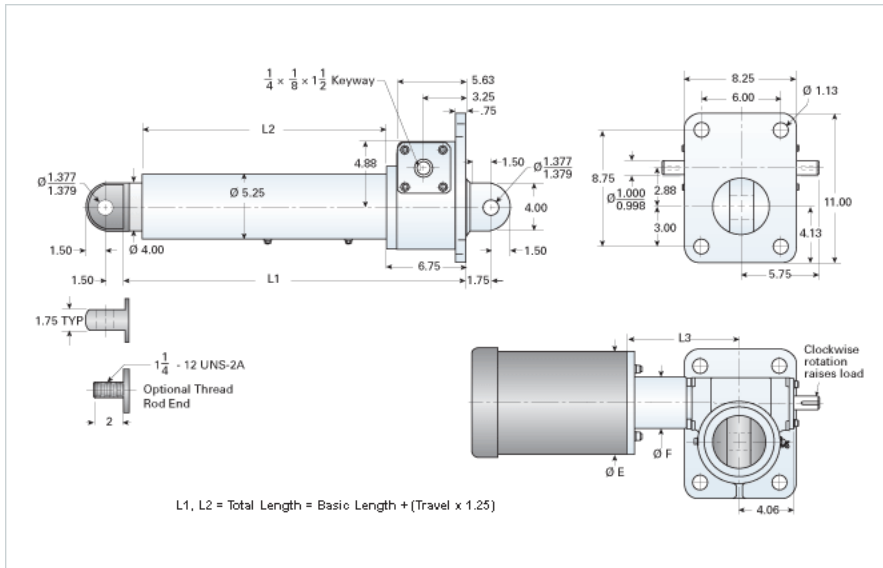


## DD-20024-A2/20XX

Call 800-321-7800 or visit us online at [www.nookindustries.com](http://www.nookindustries.com) to configure and order your DD-20024-A2/20XX today!



### Performance Specifications

|  |      |
|--|------|
| Travel Rate [in/min]                       | 36   |
| Dynamic Capacity [lb]                      | 3500 |
| Motor Horse Power (ref.) [hp]              | 2    |
| Std. Brake Torque [ft-lb]                  | 10   |
| Approximate Stopping Distance No Load [in] | 0.05 |
| Maximum Rod Reaction Torque [in-lb]        | 585  |

### Details

|                                |        |
|--------------------------------|--------|
| Gear Ratio                     | 24:1   |
| Input Turns Per Inch Of Travel | 48     |
| Torque To Raise 1 lb. [in-lb]  | 0.0218 |
| Max Capacity [lb]              | 40000  |
| Max HP [hp]                    | 2.5    |

### Weight

|                         |      |
|-------------------------|------|
| Basic Weight [lb]       | 138  |
| Per Inch of Travel [lb] | 3.60 |

### Tube Dimensions

|                      |       |
|----------------------|-------|
| L1 Basic Length [in] | 17.44 |
| L2 Basic Length [in] | 8.94  |

### NEMA 42 Dimensions

|         |   |
|---------|---|
| L3 [in] | - |
| E [in]  | - |
| F [in]  | - |

### NEMA 48 Dimensions

|         |   |
|---------|---|
| L3 [in] | - |
| E [in]  | - |
| F [in]  | - |

### NEMA 56C Dimensions

|         |      |
|---------|------|
| L3 [in] | 8.65 |
| E [in]  | 6.75 |
| F [in]  | 5.18 |

### NEMA 182TC Dimensions

|         |   |
|---------|---|
| L3 [in] | - |
| E [in]  | - |
| F [in]  | - |

### NEMA 184TC Dimensions

|         |      |
|---------|------|
| L3 [in] | -    |
| E [in]  | 9.25 |
| F [in]  | 5.19 |

### NEMA 213TC Dimensions

|         |      |
|---------|------|
| L3 [in] | 9.00 |
| E [in]  | 9.25 |
| F [in]  | 5.69 |