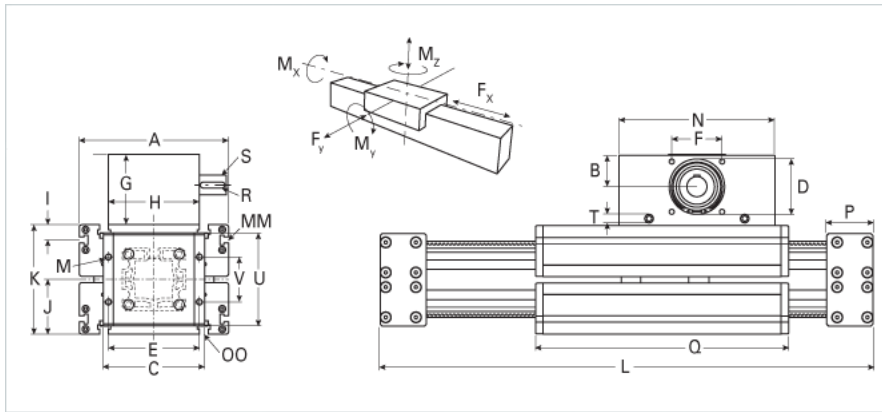
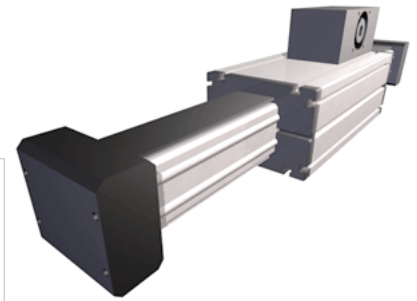


## ELFZex 100 Extended Carriage

Call 800-321-7800 or visit us online at [www.nookindustries.com](http://www.nookindustries.com) to configure and order your ELFZex 100 Extended Carriage today!



### Details

Size	100
Belt	8M70
mm/Rev	152
Number of Teeth	38
Pully Diameter [mm]	96.8

### Dimensions

Basic Length L [mm]	770
A [mm]	230
B [mm]	62
C [mm]	170
D [mm]	110
E [mm]	150
F [mm]	100
G [mm]	143
H [mm]	160
I [mm]	29
J [mm]	89
K [mm]	178
M	M10
MM	M10
N [mm]	310
OO [mm]	M10
P [mm]	77
Q [mm]	575
R [mm]	12x8x50
S [mm]	40x55
T	M10
V [mm]	80
Shaft Diameter and Length [mm]	40 x 55
Key	12x8x50

### Speed

Speed Maximum [m/s]	1
---------------------	---

### Forces and Torques

Drive Torque Maximum [Nm]	101
No-load torque [Nm]	2
Fx dynamic [N]	3650
Fy dynamic [N]	4960
Fz dynamic [N]	1043
Mx dynamic [Nm]	162
My dynamic [Nm]	218
Mz dynamic [Nm]	520
Fx static [N]	4200
Fy static [N]	6200
Fz static [N]	1292
Mx static [Nm]	202
My static [Nm]	272
Mz static [Nm]	652

### Geometrical moments of inertia of aluminum profile

Elastic modulus [N/mm <sup>2</sup> ]	70000
Ix [mm <sup>4</sup> ]	4440000
Iy [mm <sup>4</sup> ]	4480000

### Weight

---

Additional Weight per 100 mm [kg]

1.80

Basic Weight [kg]

69.0

---