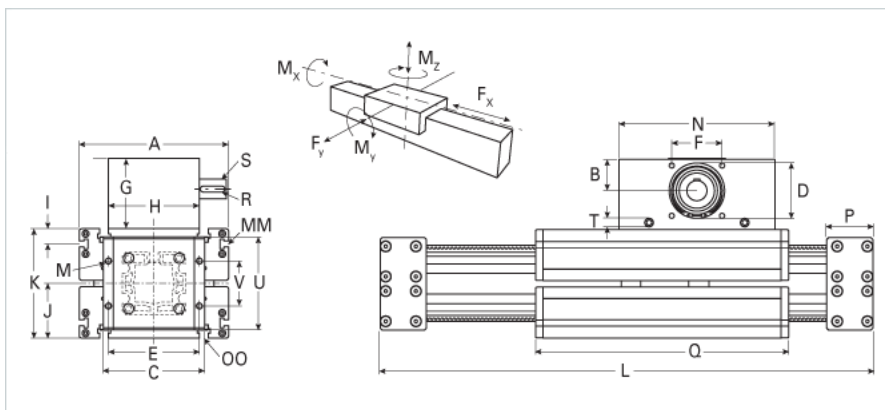
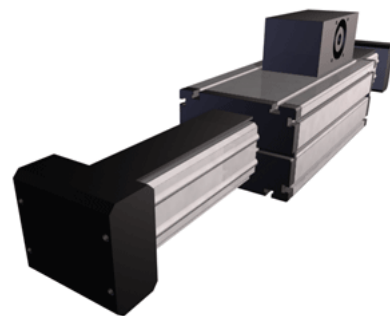


## ELFZex 80S Extended Carriage

Call 800-321-7800 or visit us online at [www.nookindustries.com](http://www.nookindustries.com) to configure and order your ELFZex 80S Extended Carriage today!



<b>Details</b>	
Size	80S
Belt	8M50
mm/Rev	128
Number of Teeth	32
Pully Diameter [mm]	81.5
<b>Dimensions</b>	
Basic Length L [mm]	770
A [mm]	190
B [mm]	60
C [mm]	126
D [mm]	90
E [mm]	134
F [mm]	80
G [mm]	139
H [mm]	130
I [mm]	12.5
J [mm]	71
K [mm]	142
M	M10
MM	M6
N [mm]	270
OO [mm]	M8
P [mm]	130
Q [mm]	489
R [mm]	8x7x40
S [mm]	30x45
T	M10
V [mm]	70
Shaft Diameter and Length [mm]	30 x 45
Key	8x7x40
<b>Speed</b>	
Speed Maximum [m/s]	1
<b>Forces and Torques</b>	
Drive Torque Maximum [Nm]	62
No-load torque [Nm]	1.5
Fx dynamic [N]	2600
Fy dynamic [N]	3550
Fz dynamic [N]	842
Mx dynamic [Nm]	108
My dynamic [Nm]	140
Mz dynamic [Nm]	292
Fx static [N]	3000
Fy static [N]	4438
Fz static [N]	1052
Mx static [Nm]	134
My static [Nm]	154
Mz static [Nm]	364
<b>Geometrical moments of inertia of aluminum profile</b>	
Elastic modulus [N/mm <sup>2</sup> ]	70000
Ix [mm <sup>4</sup> ]	1890000
Iy [mm <sup>4</sup> ]	1890000
<b>Weight</b>	

---

Additional Weight per 100 mm [kg]

1.20

Basic Weight [kg]

51.0

---