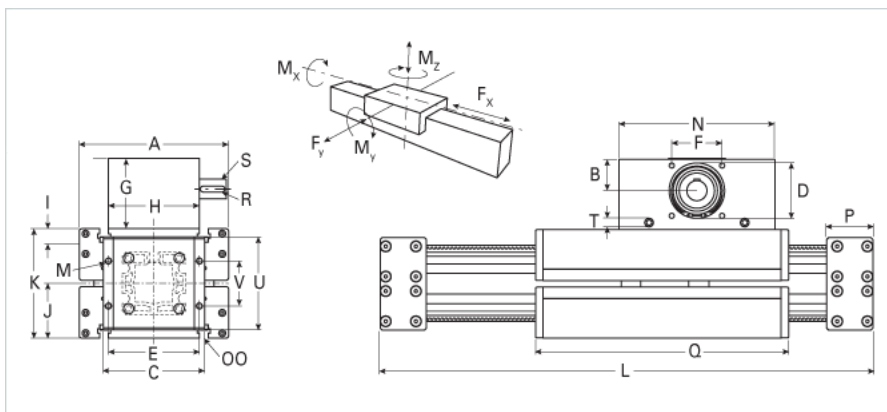
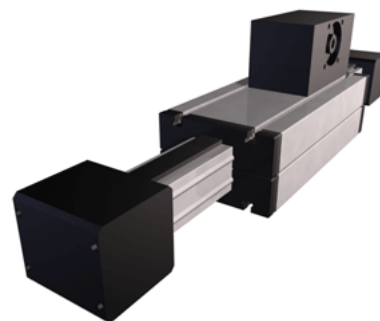


ELFZex 60S Extended Carriage

Call 800-321-7800 or visit us online at www.nookindustries.com to configure and order your ELFZex 60S Extended Carriage today!



Details	
Size	60S
Belt	8M30
mm/Rev	96
Number of Teeth	24
Dimensions	
Basic Length L [mm]	600
A [mm]	170
B [mm]	38
C [mm]	108
D [mm]	68
E [mm]	97
F [mm]	60
G [mm]	102
H [mm]	100
I [mm]	
J [mm]	
K [mm]	53
M	106
MM	M8
N [mm]	180
OO [mm]	M8
P [mm]	97
Q [mm]	380
R [mm]	6x6x40
S [mm]	18x45
T	M8
U [mm]	97
V [mm]	60
Shaft Diameter and Length [mm]	18 x 45
Key	6x6x40
Speed	
Speed Maximum [m/s]	1
Forces and Torques	
Drive Torque Maximum [Nm]	27
No-load torque [Nm]	1.2
Fx dynamic [N]	1550
Fy dynamic [N]	3056
Fz dynamic [N]	1496
Mx dynamic [Nm]	82
My dynamic [Nm]	106
Mz dynamic [Nm]	220
Fx static [N]	1800
Fy static [N]	3820
Fz static [N]	1870
Mx static [Nm]	104
My static [Nm]	132
Mz static [Nm]	274
Geometrical moments of inertia of aluminum profile	
Elastic modulus [N/mm ²]	70000
Ix [mm ⁴]	679000
Iy [mm ⁴]	697000
Weight	

Additional Weight per 100 mm [kg]	0.64
Basic Weight [kg]	23.1
Values for Calculating Inertias	
Pulley Material - Drive Pulley (x5)	Steel
Pulley Material - Idler Pulleys (x2)	Plastic
Pulley Diameter [mm]	61.12
Effective Pulley Width [mm]	100
Belt Weight [kg/m]	0.123
Standard Carriage Weight [kg]	9.20
No-load torque [Nm]	1.3
Friction Coefficient	0.01