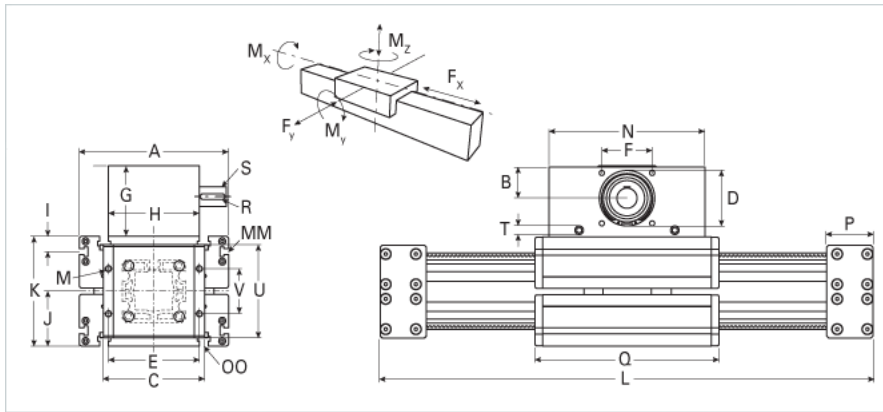
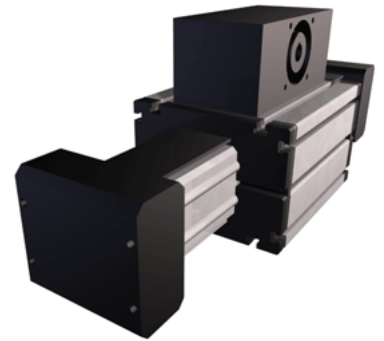


ELFZex 125

Call 800-321-7800 or visit us online at www.nookindustries.com to configure and order your ELFZex 125 today!



Details

Size	125
Belt	8M100
mm/Rev	152
Number of Teeth	38

Dimensions

Basic Length L [mm]	590
A [mm]	295
B [mm]	62
C [mm]	200
D [mm]	110
E [mm]	180
F [mm]	100
G [mm]	139
H [mm]	180
I [mm]	30
J [mm]	107.5
K [mm]	215
M	M12
MM	M10
N [mm]	310
OO [mm]	M12
P [mm]	92
Q [mm]	365
R [mm]	12x8x50
S [mm]	40x55
T	M10
U [mm]	186
V [mm]	89
Shaft Diameter and Length [mm]	40 x 55
Key	12x8x50

Speed

Speed Maximum [m/s]	1
---------------------	---

Forces and Torques

Drive Torque Maximum [Nm]	145
No-load torque [Nm]	2
Fx dynamic [N]	5200
Fy dynamic [N]	7968
Fz dynamic [N]	1752
Mx dynamic [Nm]	352
My dynamic [Nm]	448
Mz dynamic [Nm]	1018
Fx static [N]	6000
Fy static [N]	9960
Fz static [N]	2190
Mx static [Nm]	440
My static [Nm]	560
Mz static [Nm]	1272

Geometrical moments of inertia of aluminum profile

Elastic modulus [N/mm ²]	70000
Ix [mm ⁴]	10150000
Iy [mm ⁴]	10150000

Weight

Additional Weight per 100 mm [kg]	2.70
Basic Weight [kg]	87.5
Values for Calculating Inertias	
Pulley Material - Drive Pulley (x5)	Aluminum
Pulley Material - Idler Pulleys (x2)	Plastic
Pulley Diameter [mm]	96.77
Effective Pulley Width [mm]	180
Belt Weight [kg/m]	0.480
Standard Carriage Weight [kg]	44.60
No-load torque [Nm]	2.0
Friction Coefficient	0.01