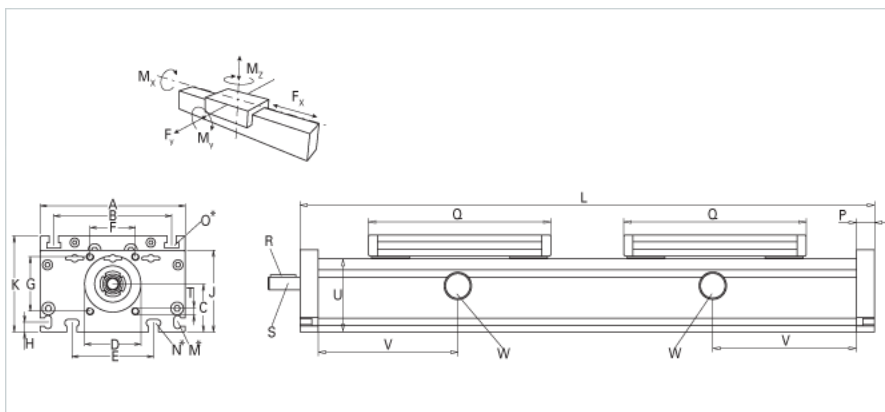


## DSK 120 Dual Carriage

Call 800-321-7800 or visit us online at [www.nookindustries.com](http://www.nookindustries.com) to configure and order your DSK 120 Dual Carriage today!



<b>Details</b>	
Size	120
Screw Options	16x5/16x10/16x16/20x20/25x5/25x10
Screw Type	Ball Screw
<b>Dimensions</b>	
Basic Length L [mm]	360
A [mm]	120
B [mm]	96
C [mm]	39
D [mm]	47
E [mm]	78
F [mm]	42
G [mm]	42
H [mm]	10
J [mm]	68
K [mm]	79
M	M5
N	M6
O	M6
P [mm]	15
Q [mm]	156
Shaft R Key [mm]	3x3x25
Shaft S Diameter x Length [mm]	10 h6x27
T	M6
U [mm]	60
<b>Forces and Torques</b>	
F <sub>x</sub> [N] 10000 km	800
F <sub>y</sub> [N] 10000 km	1405
F <sub>z</sub> [N] 10000 km	1650
M <sub>x</sub> [Nm] 10000 km	64
M <sub>y</sub> [Nm] 10000 km	77
M <sub>z</sub> [Nm] 10000 km	76
F <sub>x</sub> [N] 5000 km	900
F <sub>y</sub> [N] 5000 km	1776
F <sub>z</sub> [N] 5000 km	2090
M <sub>x</sub> [Nm] 5000 km	81
M <sub>y</sub> [Nm] 5000 km	97
M <sub>z</sub> [Nm] 5000 km	96
No-load torque [Nm]	1.1
<b>Geometrical moments of inertia of aluminum profile</b>	
Elastic modulus [N/mm <sup>2</sup> ]	70000
I <sub>x</sub> [mm <sup>4</sup> ]	561000
I <sub>y</sub> [mm <sup>4</sup> ]	3419000
<b>Weight</b>	
Weight Per 100 mm [kg]	0.9
Basic Weight [kg]	3.9