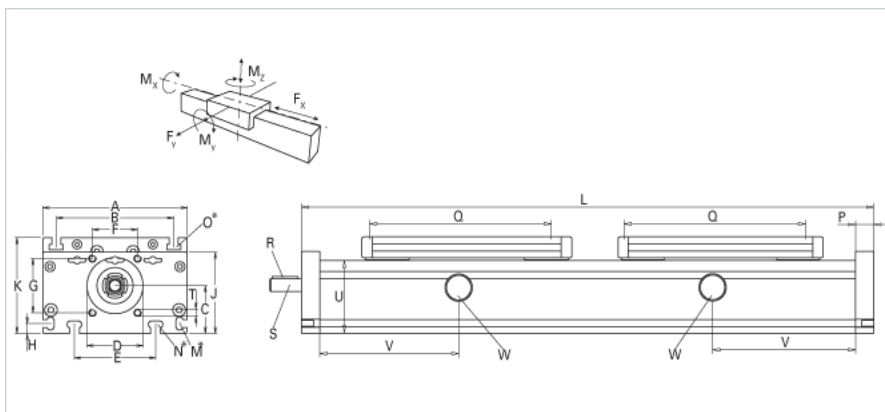


## DST 200 Dual Carriage Extended Carriage

Call 800-321-7800 or visit us online at [www.nookindustries.com](http://www.nookindustries.com) to configure and order your DST 200 Dual Carriage Extended Carriage today!



| <b>Details</b>  |             |
|---|-------------|
| Size  | 200         |
| Screw Options   | 32x6/32x12  |
| Screw Type  | Trapexoidal |
| <b>Dimensions</b>   |             |
| Basic Length L [mm]                                       | 680         |
| A [mm]  | 200         |
| B [mm]  | 160         |
| C [mm]  | 66          |
| D [mm]  | 68          |
| E [mm]  | 140         |
| F [mm]  | 60          |
| G [mm]  | 60          |
| H [mm]  | 15          |
| J [mm]  | 110         |
| K [mm]  | 129         |
| M   | M8          |
| N   | M10         |
| O   | M10         |
| P [mm]  | 20          |
| Q [mm]  | 310         |
| Shaft R Key [mm]  | 6X6X40      |
| Shaft S Diameter x Length [mm]                            | 22 h6x45    |
| T   | M8          |
| U [mm]  | 100         |
| <b>Forces and Torques</b>                                 |             |
| Fx [N] 10000 km   | 8000        |
| Fy [N] 10000 km   | 11080       |
| Fz [N] 10000 km   | 14600       |
| Mx [Nm] 10000 km  | 915         |
| My [Nm] 10000 km  | 980         |
| Mz [Nm] 10000 km  | 960         |
| Fx [N] 5000 km  | 10000       |
| Fy [N] 5000 km  | 15600       |
| Fz [N] 5000 km  | 20600       |
| Mx [Nm] 5000 km   | 1285        |
| My [Nm] 5000 km   | 1375        |
| Mz [Nm] 5000 km   | 1345        |
| No-load torque [Nm]                                       | 1.5         |
| <b>Geometrical moments of inertia of aluminum profile</b> |             |
| Elastic modulus [N/mm <sup>2</sup> ]                      | 70000       |
| Ix [mm <sup>4</sup> ]                                     | 4810000     |
| Iy [mm <sup>4</sup> ]                                     | 26000000    |
| <b>Weight</b>   |             |
| Weight Per 100 mm [kg]                                    | 3.5         |
| Basic Weight [kg]   | 19.4        |