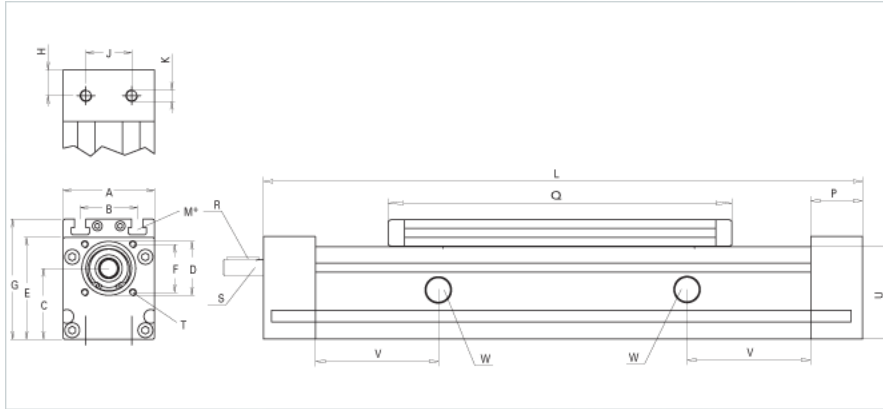
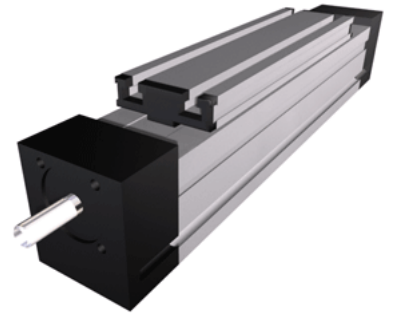


## QST 100 Extended Carriage

Call 800-321-7800 or visit us online at [www.nookindustries.com](http://www.nookindustries.com) to configure and order your QST 100 Extended Carriage today!



<b>Details</b>	
Size	100
Screw Options	32x6/32x12
Screw Type	Trapexoidal
<b>Dimensions</b>	
Basic Length L [mm]	510
A [mm]	100
B [mm]	66
C [mm]	75
D [mm]	68
E [mm]	112
F [mm]	60
G [mm]	129
H [mm]	28.5
J [mm]	50
K	M10
M	M10
P [mm]	57
Q [mm]	383
Shaft R Key [mm]	6x6x40
Shaft S Diameter x Length [mm]	22h6x45
T	M8
U [mm]	100
<b>Forces and Torques</b>	
F <sub>x</sub> [N] 10000 km	4000
F <sub>y</sub> [N] 10000 km	2910
F <sub>z</sub> [N] 10000 km	7360
M <sub>x</sub> [Nm] 10000 km	101
M <sub>y</sub> [Nm] 10000 km	597
M <sub>z</sub> [Nm] 10000 km	532
F <sub>x</sub> [N] 5000 km	5000
F <sub>y</sub> [N] 5000 km	4082
F <sub>z</sub> [N] 5000 km	10300
M <sub>x</sub> [Nm] 5000 km	142
M <sub>y</sub> [Nm] 5000 km	838
M <sub>z</sub> [Nm] 5000 km	745
<b>Geometrical moments of inertia of aluminum profile</b>	
Elastic modulus [N/mm <sup>2</sup> ]	70000
I <sub>x</sub> [mm <sup>4</sup> ]	4300000
I <sub>y</sub> [mm <sup>4</sup> ]	4880000
<b>Weight</b>	
Weight Per 100 mm [kg]	1.3
Basic Weight [kg]	14.8