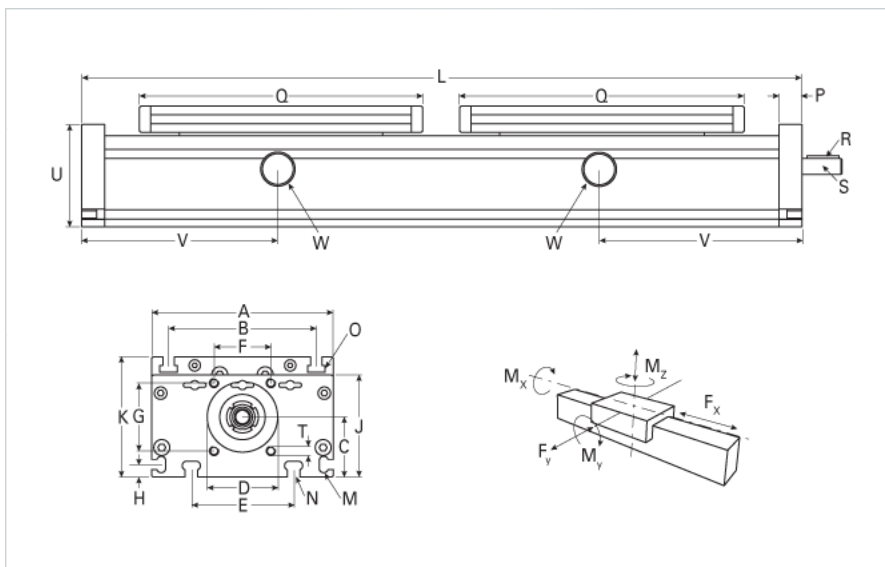


DLK 200 Dual Carriage Extended Carriage 6 Split Rollers

Call 800-321-7800 or visit us online at www.nookindustries.com to configure and order your DLK 200 Dual Carriage Extended Carriage 6 Split Rollers



Details	
Size	200
Screw Options	32x5/32x10/32x20/32x32
Screw Type	Ball Screw
Dimensions	
Basic Length L [mm]	880
A [mm]	200
B [mm]	160
C [mm]	66
D [mm]	68
E [mm]	140
F [mm]	60
G [mm]	60
H [mm]	15
J [mm]	110
K [mm]	129
M	M8
N	M10
O	M10
P [mm]	20
Q [mm]	410
Shaft R Key [mm]	6x6x40
Shaft S Diameter x Length [mm]	18 h6x45
T	M8
U [mm]	100
Forces and Torques	
No Load Torque-Dynamic	1.1
F _x dynamic [N]	8000
F _y dynamic [N]	3100
F _z dynamic [N]	4400
M _x dynamic [Nm]	510
M _y dynamic [Nm]	480
M _z dynamic [Nm]	275
F _x static [N]	10000
F _y static [N]	4400
F _z static [N]	4900
M _x static [Nm]	600
M _y static [Nm]	560
M _z static [Nm]	310
Geometrical moments of inertia of aluminum profile	
Elastic modulus [N/mm ²]	70000
I _x [mm ⁴]	6380000
I _y [mm ⁴]	33500000
Weight	
Additional Weight per 100 mm [kg]	2.82
Basic Weight [kg]	27.1