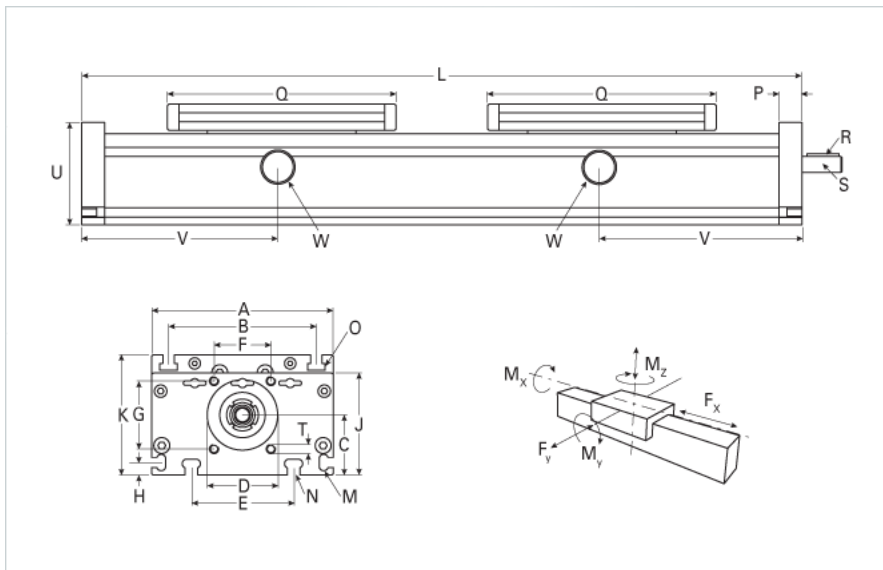


DLK 200 Dual Carriage

Call 800-321-7800 or visit us online at www.nookindustries.com to configure and order your DLK 200 Dual Carriage today!



Details

Size

200

Screw Options

32x5/32x10/32x20/32x32

Screw Type

Ball Screw

Dimensions

Basic Length L [mm]

600

A [mm]

200

B [mm]

160

C [mm]

66

D [mm]

68

E [mm]

140

F [mm]

60

G [mm]

60

H [mm]

15

J [mm]

110

K [mm]

129

M

M8

N

M10

O

M10

P [mm]

20

Q [mm]

270

Shaft R Key [mm]

6x6x40

Shaft S Diameter x Length [mm]

18 h6x45

T

M8

U [mm]

100

Forces and Torques

No Load Torque-Dynamic

1.1

F_x dynamic [N]

8000

F_y dynamic [N]

3100

F_z dynamic [N]

4400

M_x dynamic [Nm]

510

M_y dynamic [Nm]

480

M_z dynamic [Nm]

275

F_x static [N]

10000

F_y static [N]

4400

F_z static [N]

4900

M_x static [Nm]

600

M_y static [Nm]

560

M_z static [Nm]

310

Geometrical moments of inertia of aluminum profile

Elastic modulus [N/mm²]

70000

I_x [mm⁴]

6380000

I_y [mm⁴]

33500000

Weight

Additional Weight per 100 mm [kg]

2.82

Basic Weight [kg]

27.1