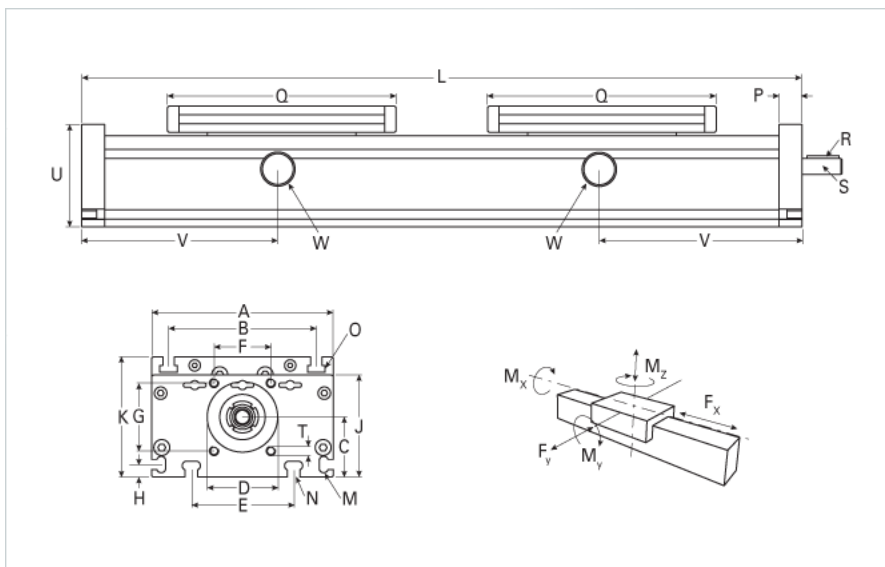


## DLK 160 Dual Carriage

Call 800-321-7800 or visit us online at [www.nookindustries.com](http://www.nookindustries.com) to configure and order your DLK 160 Dual Carriage today!



### Details

Size	160
Screw Options	25x5/20x20/25x10/25x25
Screw Type	Ball Screw

### Dimensions

Basic Length L [mm]	470
A [mm]	160
B [mm]	130
C [mm]	53
D [mm]	62
E [mm]	90
F [mm]	50
G [mm]	60
H [mm]	11
J [mm]	90
K [mm]	106
M	M6
N	M8
O	M8
P [mm]	20
Q [mm]	200
Shaft R Key [mm]	5x5x28
Shaft S Diameter x Length [mm]	14 h6x35
T	M8
U [mm]	80

### Forces and Torques

No Load Torque-Dynamic	0.9
F <sub>x</sub> dynamic [N]	4000
F <sub>y</sub> dynamic [N]	2000
F <sub>z</sub> dynamic [N]	2800
M <sub>x</sub> dynamic [Nm]	320
M <sub>y</sub> dynamic [Nm]	300
M <sub>z</sub> dynamic [Nm]	150
F <sub>x</sub> static [N]	5000
F <sub>y</sub> static [N]	3000
F <sub>z</sub> static [N]	3500
M <sub>x</sub> static [Nm]	400
M <sub>y</sub> static [Nm]	360
M <sub>z</sub> static [Nm]	180

### Geometrical moments of inertia of aluminum profile

Elastic modulus [N/mm <sup>2</sup> ]	70000
I <sub>x</sub> [mm <sup>4</sup> ]	2220000
I <sub>y</sub> [mm <sup>4</sup> ]	12200000

### Weight

Additional Weight per 100 mm [kg]	1.96
Basic Weight [kg]	12.0