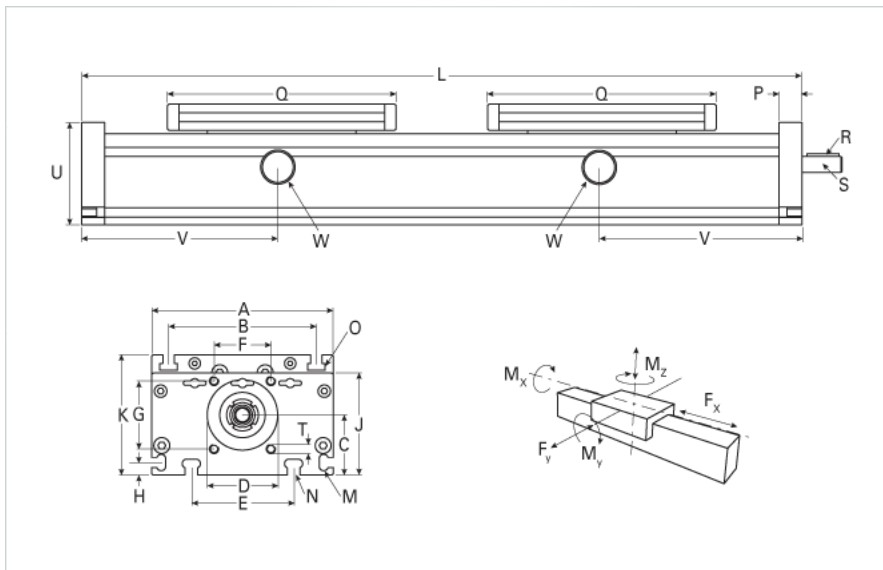
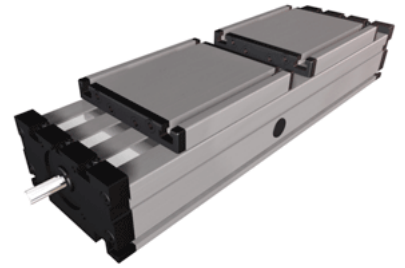


## DLK 120 Dual Carriage

Call 800-321-7800 or visit us online at [www.nookindustries.com](http://www.nookindustries.com) to configure and order your DLK 120 Dual Carriage today!



### Details

Size	120
Screw Options	16x5/16x10/16x16/20x20/25x5/25x10
Screw Type	Ball Screw

### Dimensions

Basic Length L [mm]	360
A [mm]	120
B [mm]	96
C [mm]	39
D [mm]	47
E [mm]	78
F [mm]	42
G [mm]	42
H [mm]	10
J [mm]	68
K [mm]	79
M	M5
N	M6
O	M6
P [mm]	15
Q [mm]	156
Shaft R Key [mm]	3x3x25
Shaft S Diameter x Length [mm]	10 h6x27
T	M6
U [mm]	60

### Forces and Torques

No Load Torque-Dynamic	0.9
F <sub>x</sub> dynamic [N]	800
F <sub>y</sub> dynamic [N]	900
F <sub>z</sub> dynamic [N]	1000
M <sub>x</sub> dynamic [Nm]	125
M <sub>y</sub> dynamic [Nm]	120
M <sub>z</sub> dynamic [Nm]	90
F <sub>x</sub> static [N]	900
F <sub>y</sub> static [N]	1100
F <sub>z</sub> static [N]	1250
M <sub>x</sub> static [Nm]	150
M <sub>y</sub> static [Nm]	140
M <sub>z</sub> static [Nm]	100

### Geometrical moments of inertia of aluminum profile

Elastic modulus [N/mm <sup>2</sup> ]	70000
I <sub>x</sub> [mm <sup>4</sup> ]	660000
I <sub>y</sub> [mm <sup>4</sup> ]	3860000

### Weight

Additional Weight per 100 mm [kg]	0.92
Basic Weight [kg]	5.1