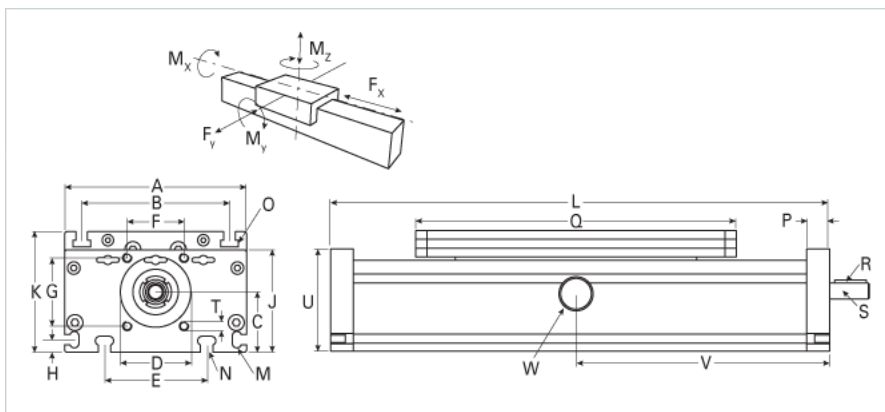


DLK 160 Extended Carriage 6 Split Rollers

Call 800-321-7800 or visit us online at www.nookindustries.com to configure and order your DLK 160 Extended Carriage 6 Split Rollers today!



| Details | |
|---|------------------------|
| Size | 160 |
| Screw Options | 25x5/20x20/25x10/25x25 |
| Screw Type | Ball Screw |
| Dimensions | |
| Basic Length L [mm] | 360 |
| A [mm] | 160 |
| B [mm] | 130 |
| C [mm] | 53 |
| D [mm] | 62 |
| E [mm] | 90 |
| F [mm] | 50 |
| H [mm] | 11 |
| J [mm] | 90 |
| K [mm] | 106 |
| M | M 6 |
| N | M 8 |
| O | M 8 |
| P [mm] | 20 |
| Q [mm] | 300 |
| Shaft R Key [mm] | 5x5x28 |
| Shaft S Diameter x Length [mm] | 14 h6 x 35 |
| T | M 8 |
| Forces and Torques | |
| No Load Torque-Dynamic | 0.9 |
| Fx dynamic [N] | 4000 |
| Fy dynamic [N] | 2000 |
| Fz dynamic [N] | 2800 |
| Mx dynamic [Nm] | 320 |
| My dynamic [Nm] | 300 |
| Mz dynamic [Nm] | 150 |
| Fx static [N] | 5000 |
| Fy static [N] | 3000 |
| Fz static [N] | 3500 |
| Mx static [Nm] | 400 |
| My static [Nm] | 360 |
| Mz static [Nm] | 180 |
| Geometrical moments of inertia of aluminum profile | |
| Elastic modulus [N/mm ²] | 70000 |
| Ix [mm ⁴] | 2220000 |
| Iy [mm ⁴] | 12200000 |
| Weight | |
| Additional Weight per 100 mm [kg] | 1.96 |
| Basic Weight [kg] | 8.2 |