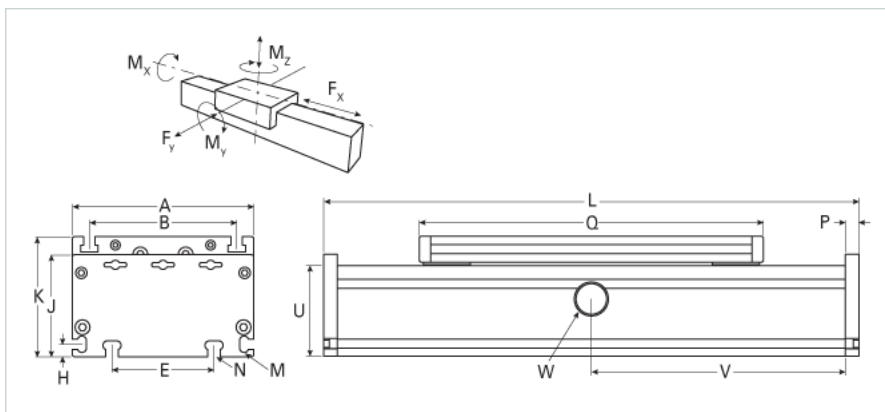
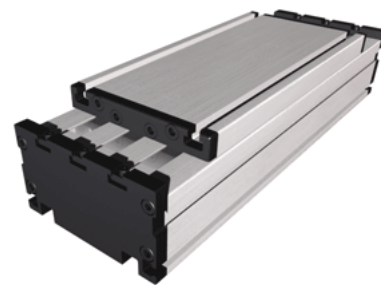


## DLR 120 Extended Carriage 6 Split Rollers

Call 800-321-7800 or visit us online at [www.nookindustries.com](http://www.nookindustries.com) to configure and order your DLR 120 Extended Carriage 6 Split Rollers today!



<b>Details</b>	
Size	120
<b>Dimensions</b>	
Basic Length L [mm]	280
A [mm]	120
B [mm]	96
E [mm]	78
H [mm]	10
J [mm]	68
K [mm]	79
M	M5
N	M6
O	M6
P [mm]	10
Q [mm]	236
U [mm]	60
<b>Speed</b>	
Speed Maximum [m/s]	4
<b>Forces and Torques</b>	
Fx dynamic [N]	-
Fy dynamic [N]	900
Fz dynamic [N]	1000
Mx dynamic [Nm]	125
My dynamic [Nm]	120
Mz dynamic [Nm]	90
Fx static [N]	-
Fy static [N]	1100
Fz static [N]	1250
Mx static [Nm]	150
My static [Nm]	140
Mz static [Nm]	100
<b>Geometrical moments of inertia of aluminum profile</b>	
Elastic modulus [N/mm <sup>2</sup> ]	70000
Ix [mm <sup>4</sup> ]	660000
Iy [mm <sup>4</sup> ]	3860000
<b>Weight</b>	
Additional Weight per 100 mm [kg] {.00}	0.71
Basic Weight [kg]	3.2