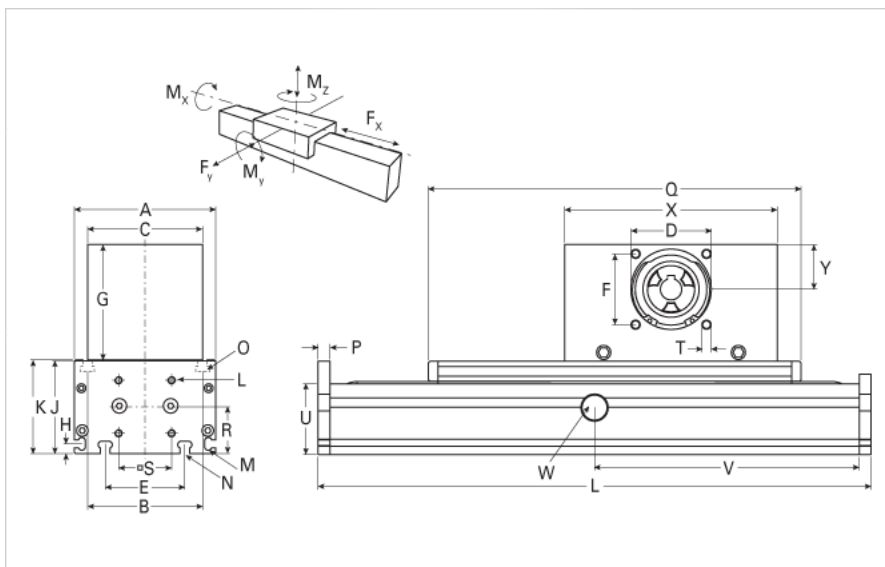
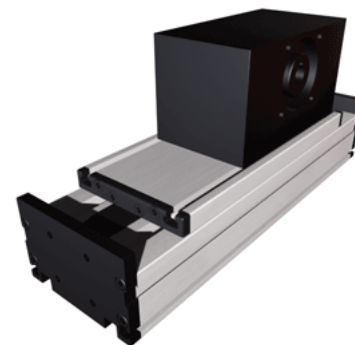


## DLSZ 160 Extended Carriage 6 Split Rollers

Call 800-321-7800 or visit us online at [www.nookindustries.com](http://www.nookindustries.com) to configure and order your DLSZ 160 Extended Carriage 6 Split Rollers today!



<b>Details</b>	
Size	160
Belt	8M50
mm/Rev	256
Number of Teeth	32
Pully Diameter [mm]	81.5
<b>Dimensions</b>	
Basic Length L [mm]	430
A [mm]	160
B [mm]	130
C [mm]	90
D [mm]	90
E [mm]	90
F [mm]	80
G [mm]	130
H [mm]	11
J [mm]	105
K [mm]	106
M	M6
N	M8
O	M8
P [mm]	12
Q [mm]	390
R [mm]	53
S [mm]	60
T	M10
U [mm]	80
X [mm]	270
Y [mm]	60
Shaft Diameter and Length [mm]	22 x 45
Key	6x6x40
<b>Speed</b>	
Speed Maximum [m/s]	6
<b>Forces and Torques</b>	
No-load torque [Nm]	1.5
Tensile force 0.2 sec [N]	4300
Tensile force permanent [N]	4000
Fx dynamic [N]	3800
Fy dynamic [N]	2000
Fz dynamic [N]	2800
Mx dynamic [Nm]	400
My dynamic [Nm]	300
Mz dynamic [Nm]	150
Fx static [N]	4000
Fy static [N]	3000
Fz static [N]	3500
Mx static [Nm]	125

My static [Nm]	360
Mz static [Nm]	180
<b>Geometrical moments of inertia of aluminum profile</b>	
Elastic modulus [N/mm <sup>2</sup> ]	70000
Ix [mm <sup>4</sup> ]	2220000
Iy [mm <sup>4</sup> ]	12200000
<b>Weight</b>	
Additional Weight per 100 mm [kg] [.00}	1.8
Basic Weight [kg]	27.0