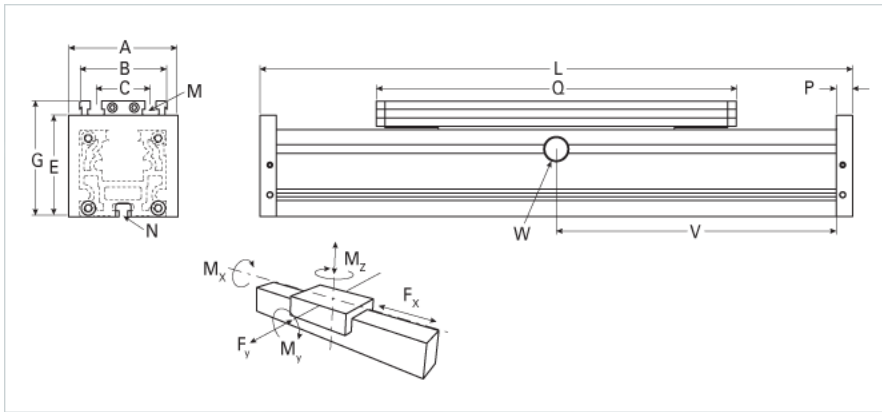
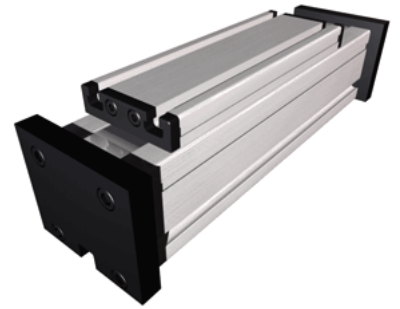


## QLR 60 Extended Carriage 4 Split Rollers

Call 800-321-7800 or visit us online at [www.nookindustries.com](http://www.nookindustries.com) to configure and order your QLR 60 Extended Carriage 4 Split Rollers today!



<b>Details</b>	
Size	60
<b>Dimensions</b>	
Basic Length L [mm]	260
A [mm]	80
B [mm]	60
C [mm]	36
E [mm]	60
G [mm]	79
M	M6
N	M5
P [mm]	12
Q [mm]	232
<b>Speed</b>	
Speed Maximum [m/s]	4
<b>Forces and Torques</b>	
Fx dynamic [N]	-
Fy dynamic [N]	500
Fz dynamic [N]	650
Mx dynamic [Nm]	10
My dynamic [Nm]	50
Mz dynamic [Nm]	30
Fx static [N]	-
Fy static [N]	600
Fz static [N]	900
Mx static [Nm]	15
My static [Nm]	60
Mz static [Nm]	40
<b>Geometrical moments of inertia of aluminum profile</b>	
Elastic modulus [N/mm <sup>2</sup> ]	70000
Ix [mm <sup>4</sup> ]	430000
Iy [mm <sup>4</sup> ]	480000
<b>Weight</b>	
Additional Weight per 100 mm [kg]	0.36
Basic Weight [kg]	1.5