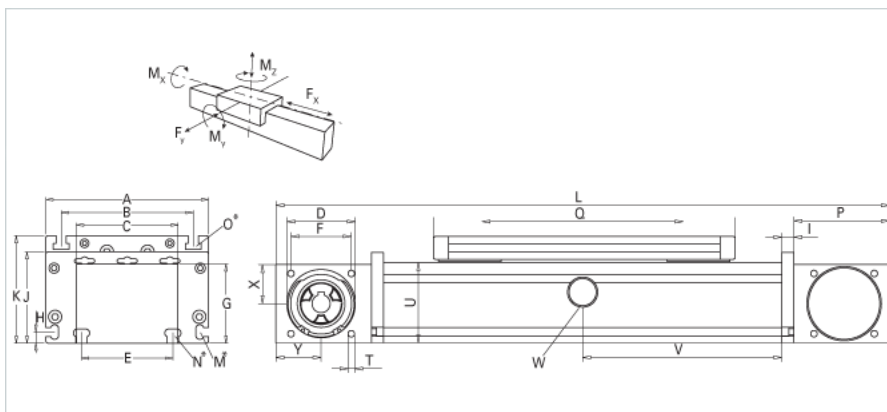
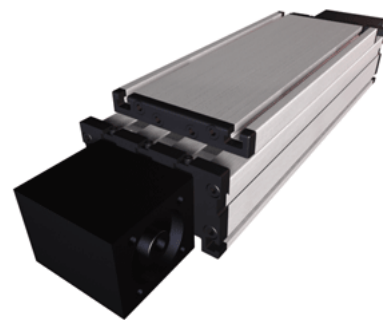


DSZ 200 Extended Carriage

Call 800-321-7800 or visit us online at www.nookindustries.com to configure and order your DSZ 200 Extended Carriage today!



Details	
Size	200
Belt	8M50/8M70
mm/Rev	176/224
Number of Teeth	22/28
Pully Diameter [mm]	71.3
Dimensions	
Basic Length L [mm]	570
A [mm]	200
B [mm]	160
C [mm]	130
D [mm]	90
E [mm]	140
F [mm]	80
G [mm]	97
H [mm]	15
I [mm]	15
J [mm]	110
K [mm]	129
M	M8
N	M10
O	M10
P [mm]	110
Q [mm]	310
T	M10
U [mm]	100
X [mm]	49
Y [mm]	50
Speed	
Speed Maximum [m/s]	5
Forces and Torques	
No-load torque with cover bands	2.9
No-load torque without cover bands	2
Fx [N] 10000 km	3800
Fy [N] 10000 km	11080
Fz [N] 10000 km	14600
Mx [Nm] 10000 km	915
My [Nm] 10000 km	980
Mz [Nm] 10000 km	690
Fx [N] 5000 km	4000
Fy [N] 5000 km	15600
Fz [N] 5000 km	20600
Mx [Nm] 5000 km	1285
My [Nm] 5000 km	1375
Mz [Nm] 5000 km	1345
Tensile force 0.2 sec [N]	4300
Tensile force permanent [N]	4000
Geometrical moments of inertia of aluminum profile	
Elastic modulus [N/mm ²]	70000
Ix [mm ⁴]	4810000
Iy [mm ⁴]	26000000
Weight	
Additional Weight per 100 mm [kg]	2.90

