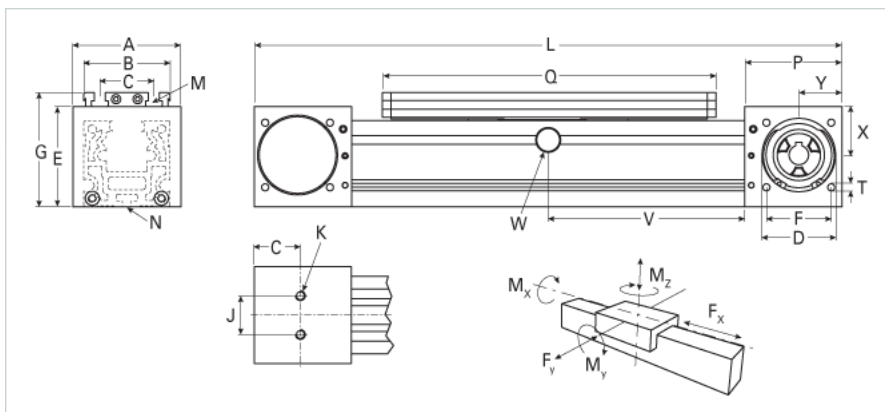
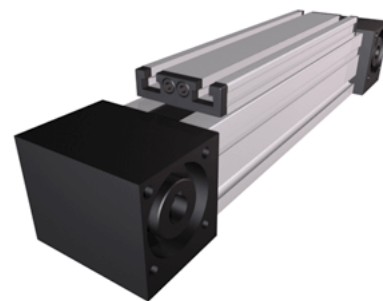


QLZ 60 Extended Carriage 6 Split Rollers

Call 800-321-7800 or visit us online at www.nookindustries.com to configure and order your QLZ 60 Extended Carriage 6 Split Rollers today!



Details	
Size	60
Belt	5M25
mm/Rev	130
Number of Teeth	26
Pully Diameter [mm]	41.4
Dimensions	
Basic Length L [mm]	360
A [mm]	80
B [mm]	60
C [mm]	36
D [mm]	47
E [mm]	63
F [mm]	42
G [mm]	79
H [mm]	29.5
J [mm]	30
K	M8
M	M6
N	M5
P [mm]	59
Q [mm]	232
T	M6
X [mm]	27
Y [mm]	26
Shaft Diameter and Length [mm]	14 x 35
Key	5x5x28
Speed	
Speed Maximum [m/s]	4
Forces and Torques	
No-load torque [Nm]	0.6
Tensile force 0.2 sec [N]	1000
Tensile force permanent [N]	900
F _x dynamic [N]	800
F _y dynamic [N]	500
F _z dynamic [N]	650
M _x dynamic [Nm]	10
M _y dynamic [Nm]	50
M _z dynamic [Nm]	40
F _x static [N]	894
F _y static [N]	600
F _z static [N]	900
M _x static [Nm]	15
M _y static [Nm]	60
M _z static [Nm]	40
Geometrical moments of inertia of aluminum profile	
Elastic modulus [N/mm ²]	70000
I _x [mm ⁴]	430000
I _y [mm ⁴]	480000
Shaft Details	
Key [mm]	5x5x28
Shaft Diameter h6 x Length [mm]	14 x 35
Weight	

Additional Weight per 100 mm [kg]

0.39

Basic Weight [kg]

3.2
