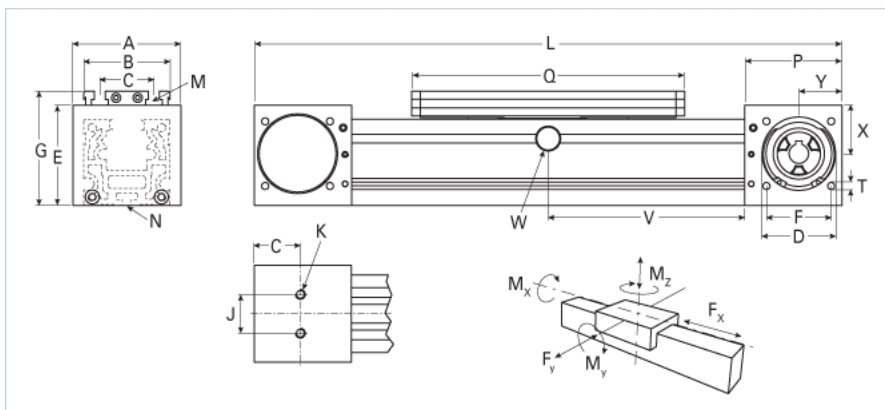
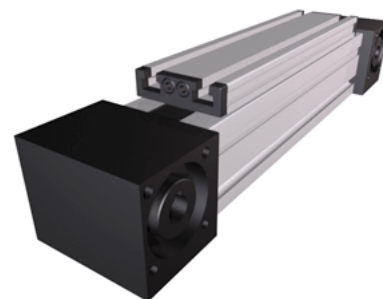


QLZ 80 Extended Carriage

Call 800-321-7800 or visit us online at www.nookindustries.com to configure and order your QLZ 80 Extended Carriage today!



Details	
Size	80
Belt	8M30
mm/Rev	176
Number of Teeth	22
Pully Diameter [mm]	56.0
Dimensions	
Basic Length L [mm]	440
A [mm]	100
B [mm]	80
C [mm]	50
D [mm]	68
E [mm]	93
F [mm]	60
G [mm]	106
H [mm]	47.5
J [mm]	40
K	M10
M	M8
N	M6
P [mm]	90
Q [mm]	246
T	M8
X [mm]	45
Y [mm]	40
Shaft Diameter and Length [mm]	18 x 45
Key	6x6x40
Speed	
Speed Maximum [m/s]	6
Forces and Torques	
No-load torque [Nm]	0.8
Tensile force 0.2 sec [N]	2090
Tensile force permanent [N]	1900
F _x dynamic [N]	800
F _y dynamic [N]	1240
F _z dynamic [N]	1200
M _x dynamic [Nm]	40
M _y dynamic [Nm]	80
M _z dynamic [Nm]	60
F _x static [N]	894
F _y static [N]	1600
F _z static [N]	1500
M _x static [Nm]	50
M _y static [Nm]	100
M _z static [Nm]	75
Geometrical moments of inertia of aluminum profile	
Elastic modulus [N/mm ²]	70000
I _x [mm ⁴]	1650000
I _y [mm ⁴]	1870000
Shaft Details	
Key [mm]	6x6x40
Shaft Diameter h6 x Length [mm]	18 x 45
Weight	

Additional Weight per 100 mm [kg]

0.78

Basic Weight [kg]

9.6
