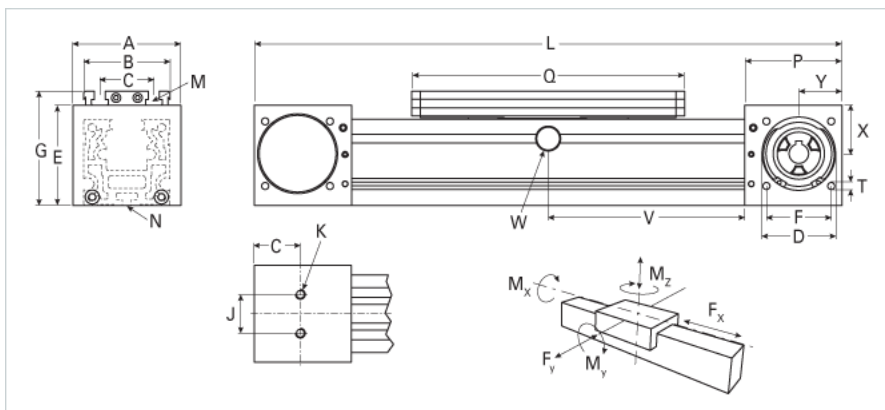
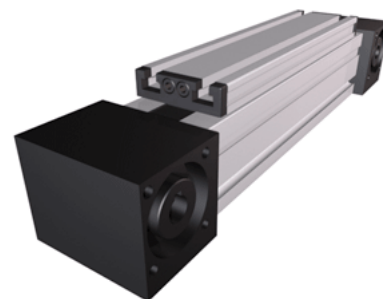


QLZ 60 Extended Carriage

Call 800-321-7800 or visit us online at www.nookindustries.com to configure and order your QLZ 60 Extended Carriage today!



| Details | |
|---|---------|
| Size | 60 |
| Belt | 5M25 |
| mm/Rev | 130 |
| Number of Teeth | 26 |
| Pully Diameter [mm] | 41.4 |
| Dimensions | |
| Basic Length L [mm] | 320 |
| A [mm] | 80 |
| B [mm] | 60 |
| C [mm] | 36 |
| D [mm] | 47 |
| E [mm] | 63 |
| F [mm] | 42 |
| G [mm] | 79 |
| H [mm] | 29.5 |
| J [mm] | 30 |
| K | M8 |
| M | M6 |
| N | M5 |
| P [mm] | 59 |
| Q [mm] | 192 |
| T | M6 |
| X [mm] | 27 |
| Y [mm] | 26 |
| Shaft Diameter and Length [mm] | 14 x 35 |
| Key | 5x5x28 |
| Speed | |
| Speed Maximum [m/s] | 4 |
| Forces and Torques | |
| No-load torque [Nm] | 0.6 |
| Tensile force 0.2 sec [N] | 1000 |
| Tensile force permanent [N] | 900 |
| F _x dynamic [N] | 800 |
| F _y dynamic [N] | 500 |
| F _z dynamic [N] | 650 |
| M _x dynamic [Nm] | 10 |
| M _y dynamic [Nm] | 50 |
| M _z dynamic [Nm] | 40 |
| F _x static [N] | 894 |
| F _y static [N] | 600 |
| F _z static [N] | 900 |
| M _x static [Nm] | 15 |
| M _y static [Nm] | 60 |
| M _z static [Nm] | 40 |
| Geometrical moments of inertia of aluminum profile | |
| Elastic modulus [N/mm ²] | 70000 |
| I _x [mm ⁴] | 430000 |
| I _y [mm ⁴] | 480000 |
| Shaft Details | |
| Key [mm] | 5x5x28 |
| Shaft Diameter h6 x Length [mm] | 14 x 35 |
| Weight | |

Additional Weight per 100 mm [kg]

0.39

Basic Weight [kg]

3.2
